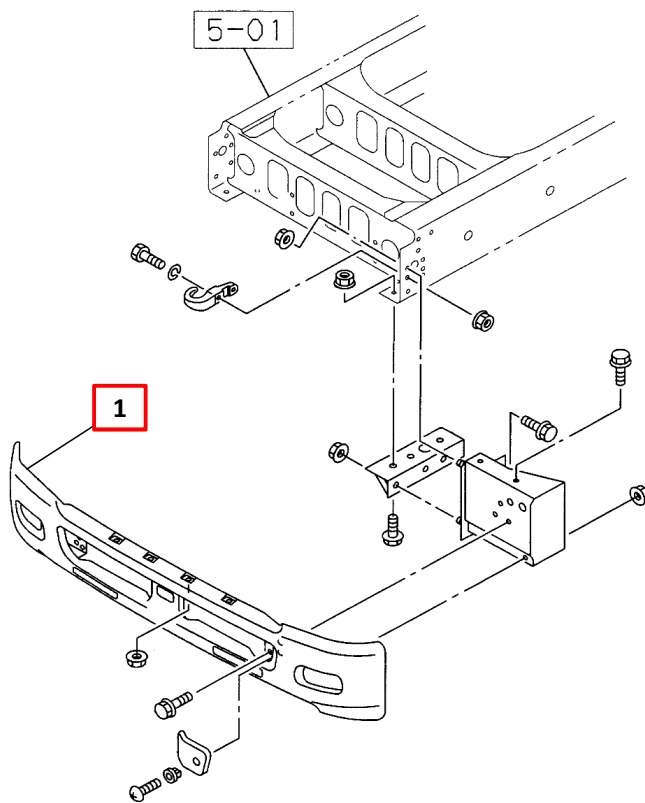


PART INFORMATION

No : FORM/D/16/006/Rev00
 Reff No : 010/PI/PART/IAMI/IX/16
 Tanggal : 5 September 2016
 Perihal : BUMPER ASM; FRONT, F#, IADG

FIG.NO : 6-01 FRONT BUMPER



NO	PART NUMBER	ITC	DESCRIPTION	FIG No.	KEY NO.	APPLIED DATE	RETAIL	REMARKS
1	I6-97407 730-0		BUMPER ASM; FRT	6-01	1	1108-	Rp3.850.000	FRR; FTR; FVR; FVM; FVZ