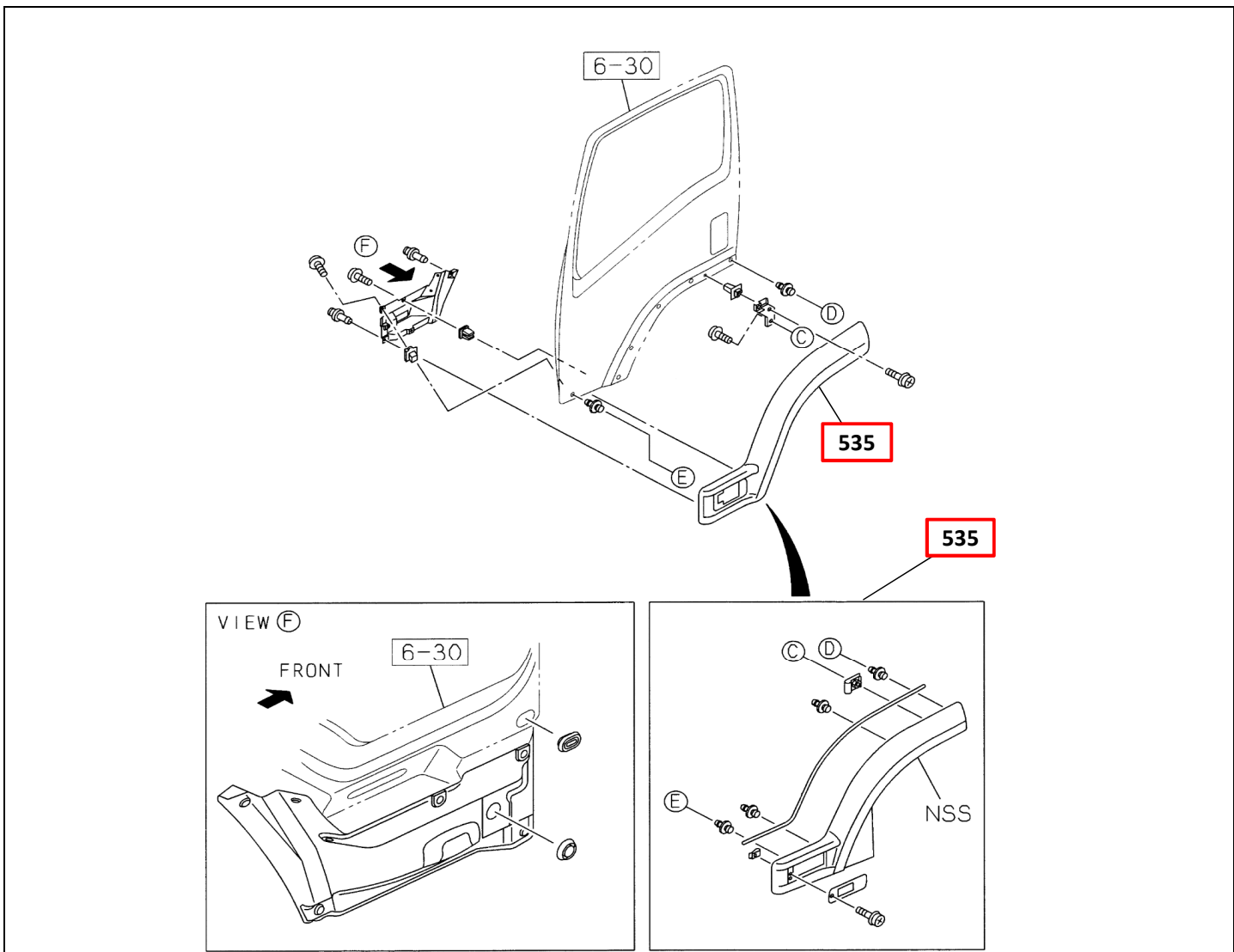


PART INFORMATION

No : FORM/D/16/006/Rev00
 Reff No : 011/PI/PART/IAMI/IX/16
 Tanggal : 5 September 2016
 Perihal : FENDER BLISTER, IADG (FRR)

FIG.NO : 6-05 FRONT PANEL



NO	PART NUMBER	ITC	DESCRIPTION	FIG No.	KEY NO.	APPLIED DATE	RETAIL	REMARKS
1	I6-98106 498-0		FENDER; BLISTER FRR90	6-05	535	1108-	Rp820.000	FRR
2	I6-98106 499-0		FENDER; BLISTER FRR90	6-05	535	1108-	Rp800.000	FRR