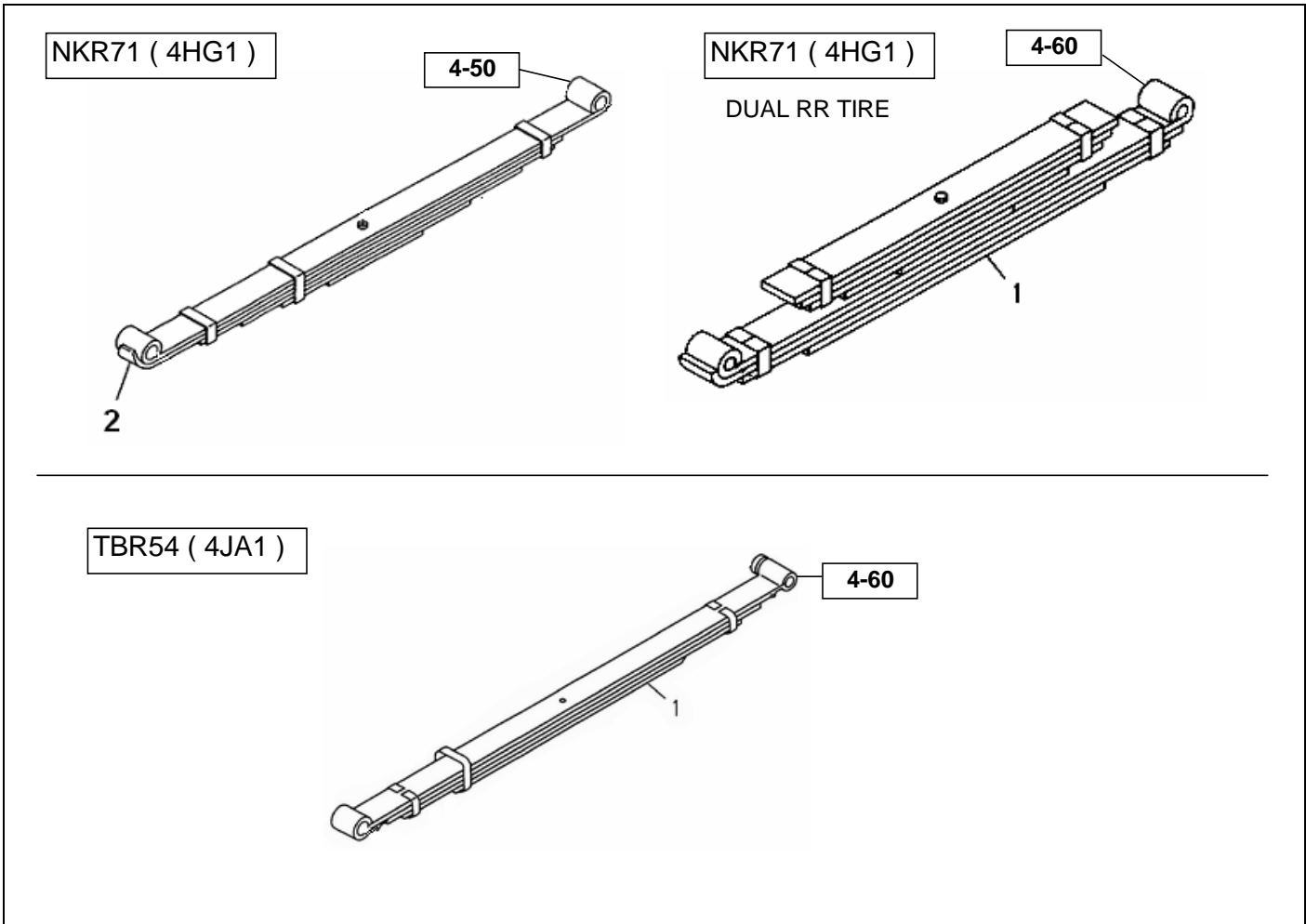


PART INFORMATION

No : 011 / PI / PART / IAMI / IV / 2012
 Tanggal : 04 April 2012
 Perihal : SPRING TBR54 & NKR71 IADG

FIG.NO : 4-50 & 4-60 SPRING



| NO | PART NUMBER | DESCRIPTION | KEY NO | QTY/U | ENGINE | RETAIL | REMARKS |
|----|----------------|---------------------|--------|-------|--------|-----------|----------------------|
| 1 | I6-65002 210-0 | SPRING ASM FR,NKR71 | 2 | 2 | 4HG1 | 1.075.000 | NKR71 |
| 2 | I6-66001 200-0 | SPRING ASM RR,NKR71 | 1 | 2 | 4HG1 | 1.875.000 | NKR71 (DUAL RR TIRE) |
| 3 | I6-94386 037-0 | SPRING ASM RR,TBR54 | 1 | 2 | 4JA1 | 580.000 | TBR54, WAGON |
| | | | | | | | |
| | | | | | | | |
| | | | | | | | |
| | | | | | | | |