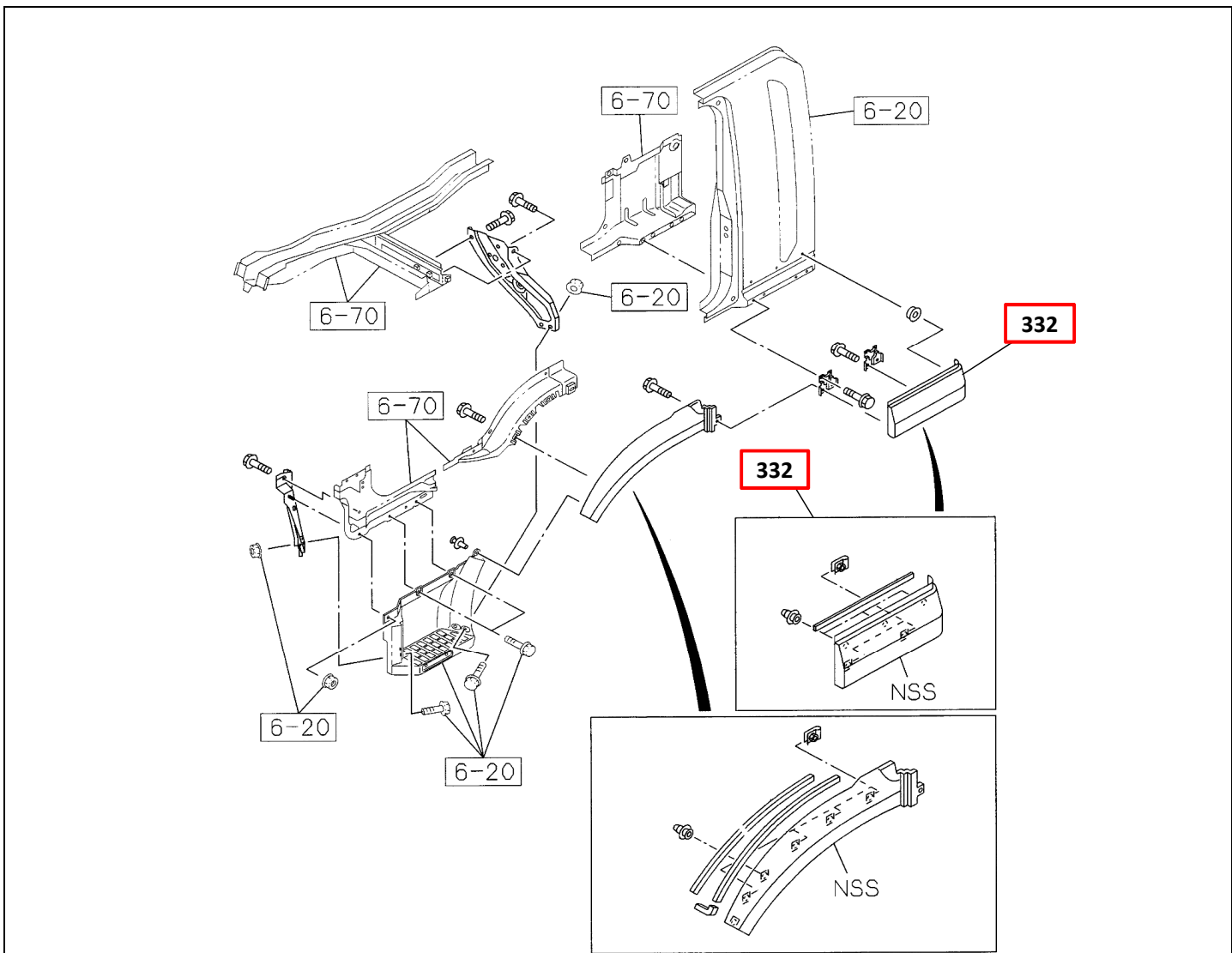


# PART INFORMATION

No : FORM/D/16/006/Rev00  
 Reff No : 012/PI/PART/IAMI/IX/16  
 Tanggal : 5 September 2016  
 Perihal : FENDER; RR, F#, IADG

**FIG.NO : 6-05 FRONT PANEL**



NO	PART NUMBER	ITC	DESCRIPTION	FIG No.	KEY NO.	APPLIED DATE	RETAIL	REMARKS
1	I6-98038 434-0		FENDER; RR FVZ34	6-05	332	1108-	Rp510.000	FRR; FTR; FVR; FVM; FVZ
	I6-98038 435-0		FENDER; RR FVZ34	6-05	332	1108-	Rp510.000	FRR; FTR; FVR; FVM; FVZ