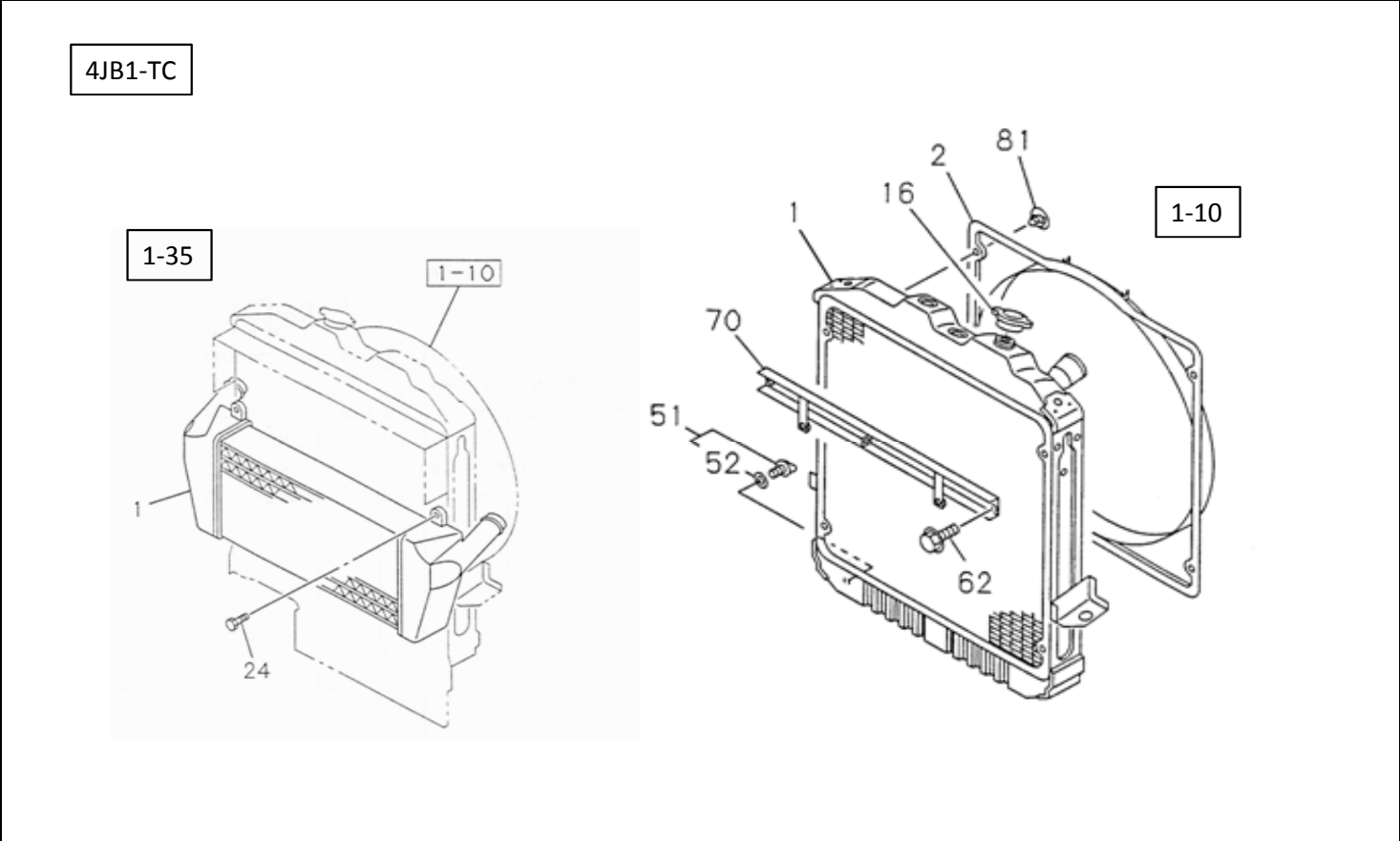


PART INFORMATION

No : 012 / PI / PART / IAMI / II / 2014
 Tanggal : 20 Feb 2014
 Perihal : RADIATOR NHR55/NKR55 EURO2 (ALUMINIUM)

FIG.NO : 1-10 RADIATOR



| NO | PART NEW | DESCRIPTION | FIG No. | KEY NO. | APPLIED DATE | RETAIL | REMARKS |
|----|---------------|-----------------------|---------|---------|--------------|-----------|-------------------|
| 1 | 8-97178 663-A | RADIATOR ASM | 1-10 | 1 | 1309- | #N/A | NHR55/NKR55 EURO2 |
| 2 | 8-97066 011-A | GUIDE ; FAN | 1-10 | 2 | 1309- | #N/A | NHR55/NKR55 EURO2 |
| 3 | 7-63401 240-A | CAP ; RADIATOR | 1-10 | 16 | 1309- | #N/A | NHR55/NKR55 EURO2 |
| 4 | 8-97171 437-A | DRAIN PLUG | 1-10 | 51 | 1309- | #N/A | NHR55/NKR55 EURO2 |
| 5 | 0-28050 812-A | BOLT; STAY | 1-10 | 62 | 1309- | #N/A | NHR55/NKR55 EURO2 |
| 6 | 8-97061 314-A | STAY ASM | 1-10 | 70 | 1309- | #N/A | NHR55/NKR55 EURO2 |
| 7 | 8-97088 810-A | SCREW; FAN GUIDE, RAD | 1-10 | 81 | 1309- | #N/A | NHR55/NKR55 EURO2 |
| 8 | 8-97210 644-A | INTERCOOLER ASM | 1-35 | 1 | 1309- | 3.325.000 | NHR55/NKR55 EURO2 |
| 9 | 0-28080 825-0 | BOLT M8x1,25, L=25 | 1-35 | 24 | 1309- | 9.000 | NHR55/NKR55 EURO2 |
| | | | | | | | |
| | | | | | | | |
| | | | | | | | |
| | | | | | | | |
| | | | | | | | |
| | | | | | | | |
| | | | | | | | |
| | | | | | | | |
| | | | | | | | |
| | | | | | | | |
| | | | | | | | |