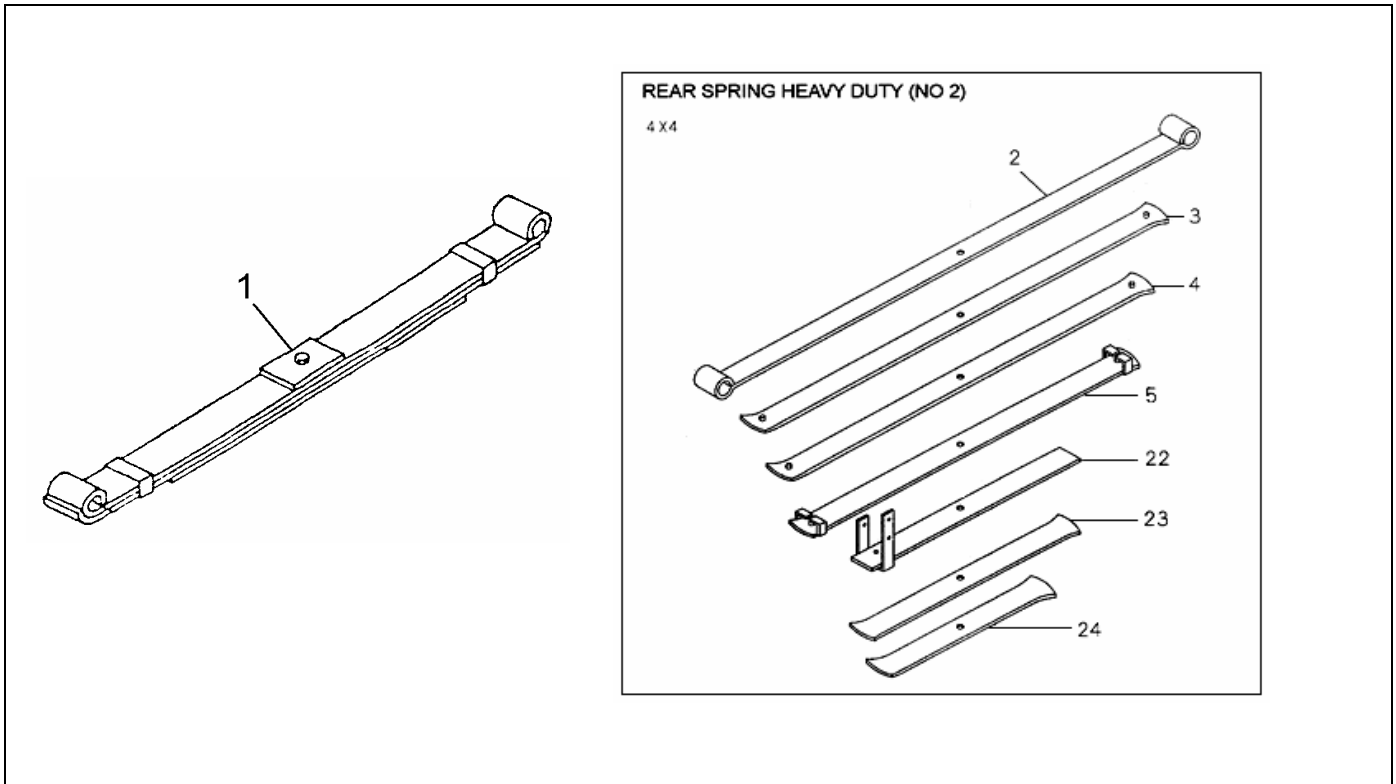


PART INFORMATION

No : 012 / IAMI / PM / PART / III / 2011
Tanggal : 24 Maret 2011
Perihal : SPRING ASM & S/A D-MAX

FIG.NO : 4-65 REAR LEAF SPRING



NO	PART NUMBER	DESCRIPTION	FIG NO	KEY NO	APPLIED DATE	RETAIL	REMARKS
1	I8-97946 819-A	SPRING ASM REAR D-MAX	4-60	1	0307-	1.400.000	Heavy Duty (7 Leaf)
2	I8-97246 606-A	SPRING LEAF NO.1,D-MAX	4-65	2	0307-	315.000	Heavy Duty (7 Leaf)
3	I8-97246 610-A	SPRING LEAF NO.2, D-MAX	4-65	3	0307-	220.000	Heavy Duty (7 Leaf)
4	I8-97246 616-A	SPRING LEAF NO.3,D-MAX	4-65	4	0307-	177.000	Heavy Duty (7 Leaf)
5	I8-97246 619-A	SPRING LEAF NO.4,D-MAX	4-65	5	0307-	200.000	Heavy Duty (7 Leaf)
6	I8-97368 646-A	SPRING LEAF NO.1 RR S/A D-MAX	4-65	22	0307-	225.000	Heavy Duty (7 Leaf)
7	I8-97368 647-A	SPRING LEAF NO.2 RR S/A D-MAX	4-65	23	0307-	124.000	Heavy Duty (7 Leaf)
8	I8-97304 272-A	SPRING LEAF NO.3 RR S/A D-MAX	4-65	24	0307-	78.000	Heavy Duty (7 Leaf)