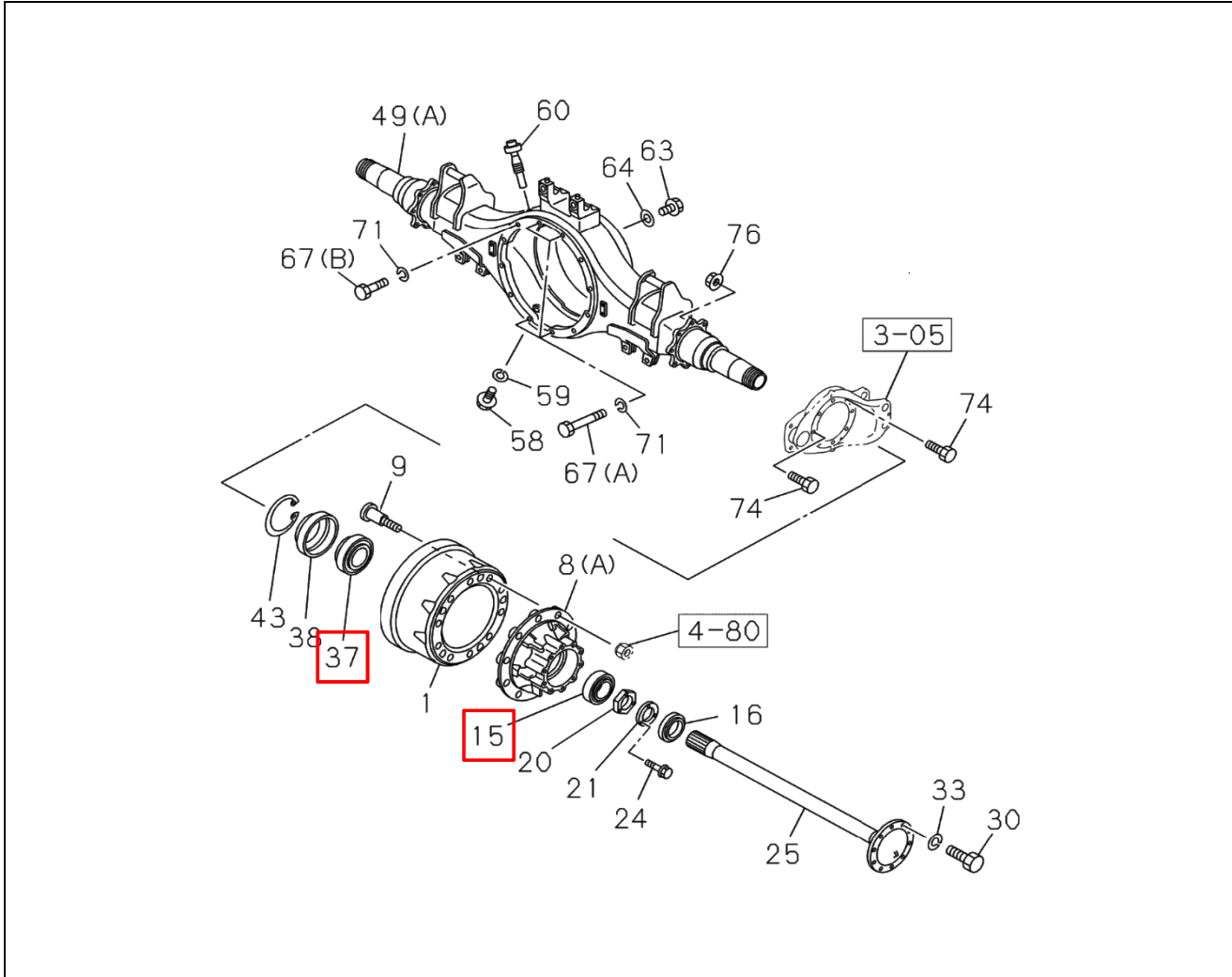


PART INFORMATION

No : FORM/D/16/006/Rev00
 Ref No : 013/PI/PART/IAMI/IV/21
 Tanggal : 27 April 2021
 Perihal : BEARING; HUB INNER & OUTER, RR AXLE F-SERIES, IADG

FIG NO : 4-20 REAR AXLE CASE AND SHAFT



| NO | PART NUMBER | ITC | DESCRIPTION | FIG No. | KEY NO. | APPLIED DATE | REMARKS |
|----|----------------|-----|----------------------------|---------|---------|--------------|-------------------------|
| 1 | IL-09812 232-0 | | BEARING; HUB OUTER, RR AXL | 4-20 | 015 | 1103- | ALL F-SERIES (EXC. FRR) |
| 2 | IL-09812 233-0 | | BEARING; HUB INNER, RR AXL | 4-20 | 037 | 1103- | ALL F-SERIES (EXC. FRR) |
| | | | | | | | |
| | | | | | | | |
| | | | | | | | |