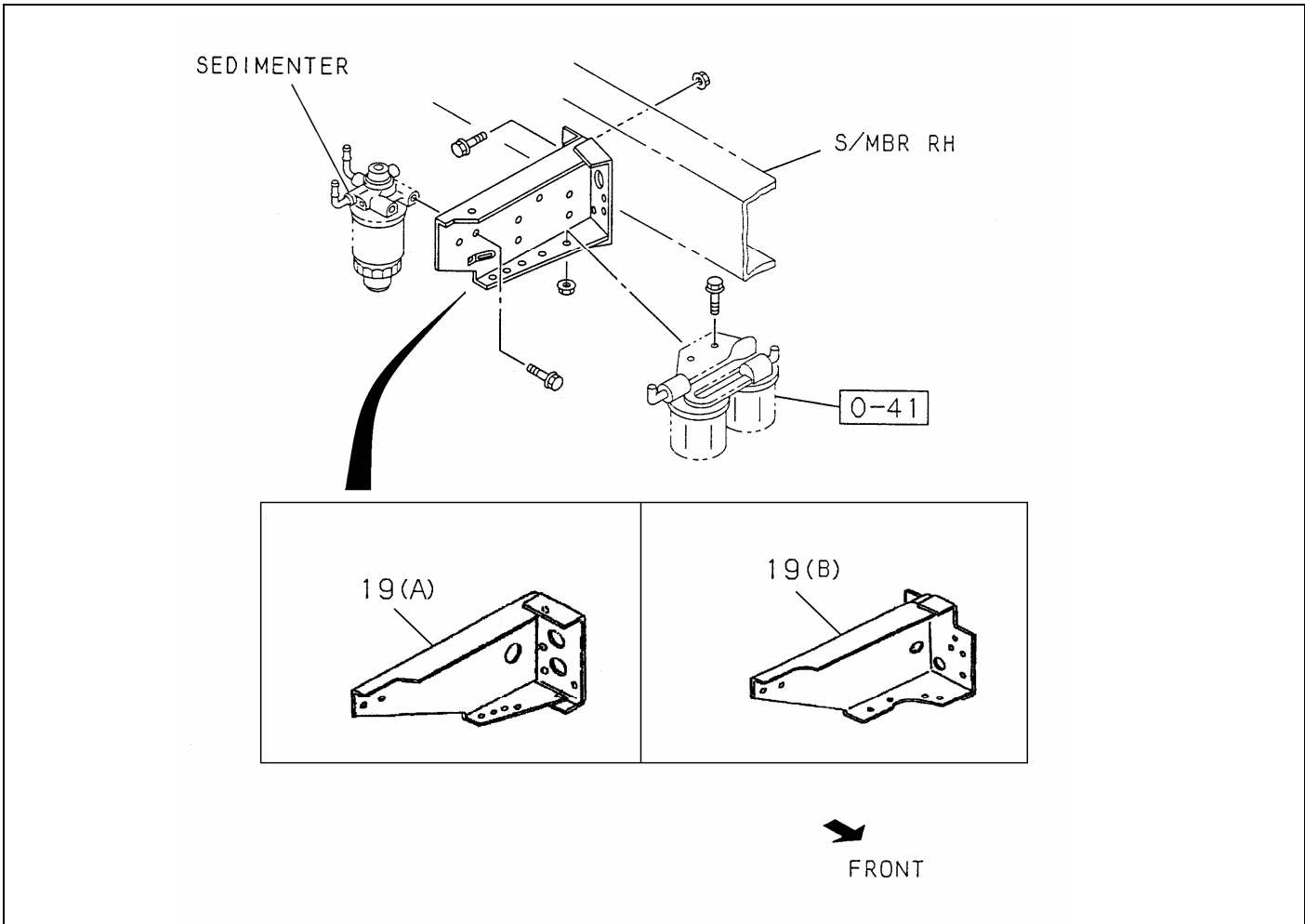


PART INFORMATION

No : 013 / PI / PART / IAMI / V / 2012
 Tanggal : 14 Mei 2012
 Perihal : BRACKET; FUEL SEDIMENTER N Series

FIG.NO : 1-45 WATER SEDIMENTER ; FUEL



NO	PART NUMBER	DESCRIPTION	KEY NO	QTY/U	ENGINE	RETAIL	REMARKS
1	8-98017 562-0	BRACKET; FUEL SEDIMENTER	19	1	4JB1-TC	700.000	(A) NHR55/NKR55 EURO 2
2	8-97226 277-0	BRACKET; FUEL SEDIMENTER	19	1	4HG1-T	690.000	(B) NKR71T/THD EURO 2