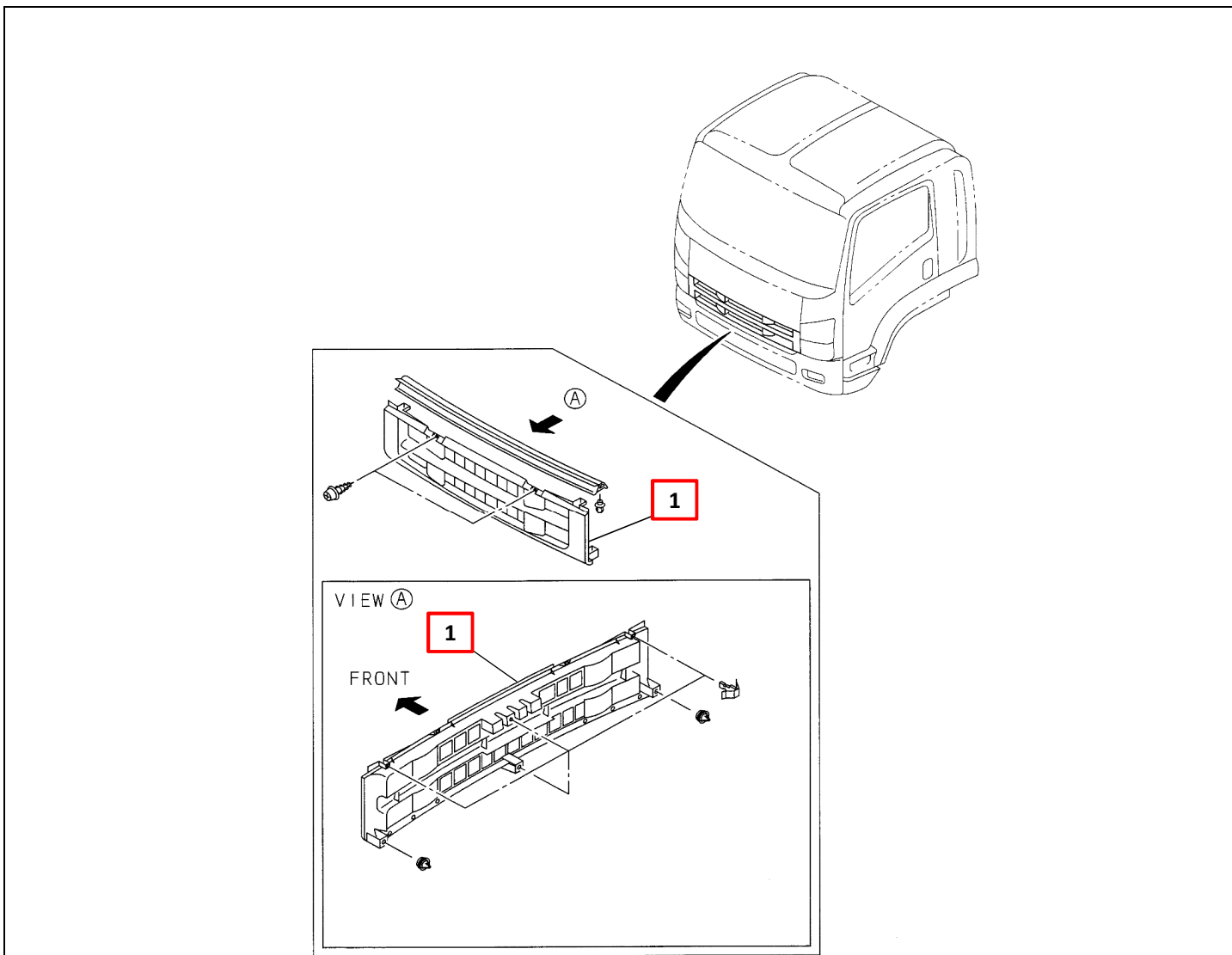


# PART INFORMATION

No : FORM/D/16/006/Rev00  
 Reff No : 013/PI/PART/IAMI/IX/16  
 Tanggal : 5 September 2016  
 Perihal : GRILLE RADIATOR, IADG (FRR)

**FIG.NO : 6-03 RADIATOR GRILLE**



NO	PART NUMBER	ITC	DESCRIPTION	FIG No.	KEY NO.	APPLIED DATE	RETAIL	REMARKS
1	I6-98040 994-0		GRILLE; RAD	6-03	1	1108-	Rp2.500.000	FRR