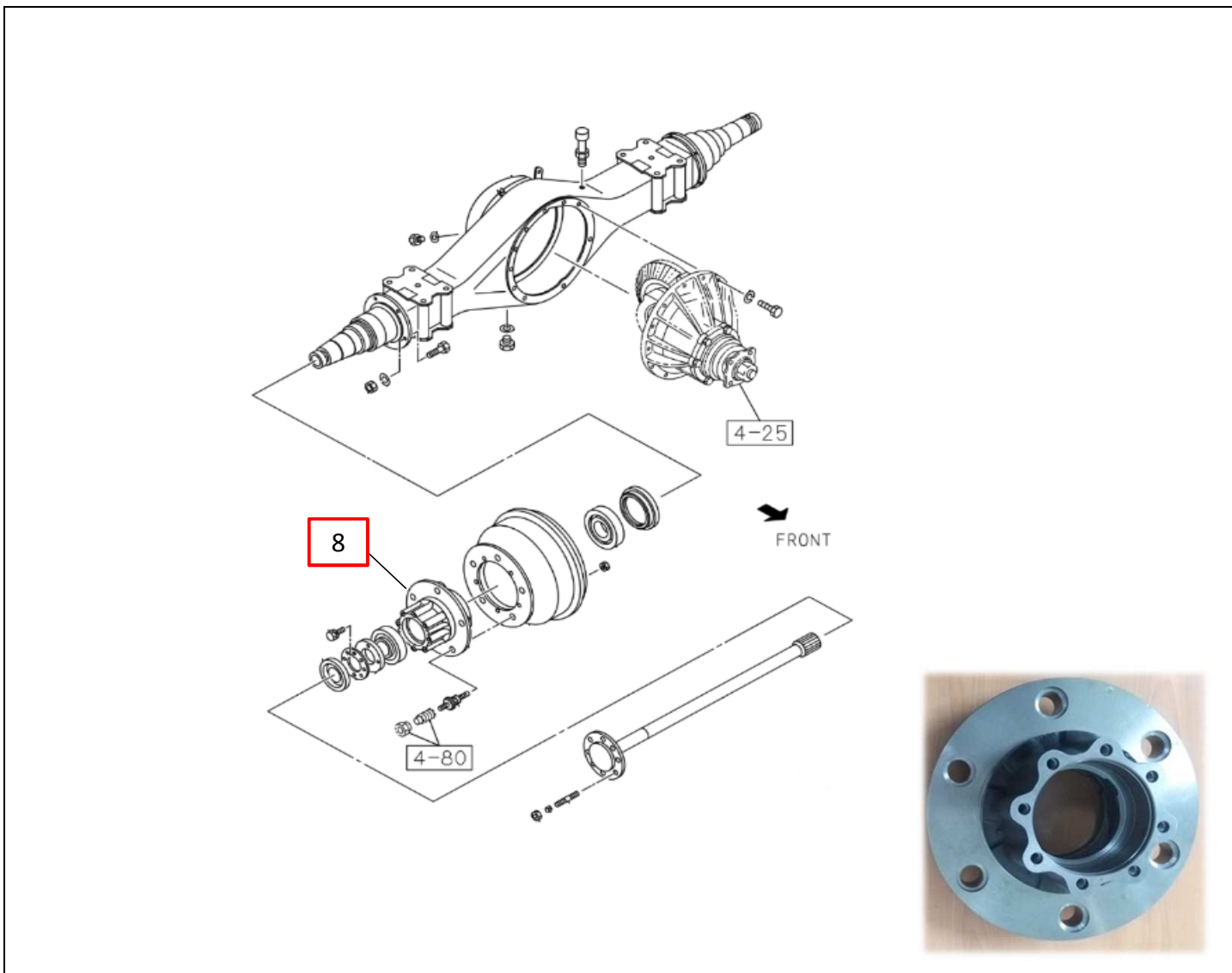


# PART INFORMATION

No : FORM/D/16/006/Rev00  
 Reff No : 013/PI/PART/IAMI/IX/18  
 Tanggal : 19 September 2018  
 Perihal : HUB REAR AXLE, NMR

**FIG NO : 4-20 REAR AXLE CASE AND SHAFT**



NO	PART NUMBER	ITC	DESCRIPTION	FIG No.	KEY NO.	APPLIED DATE	RETAIL	REMARKS
1	I4-SPART 102-A		HUB; RR AXLE	4-20	8	1512-	Rp950.000	NMR71 ; NMR81