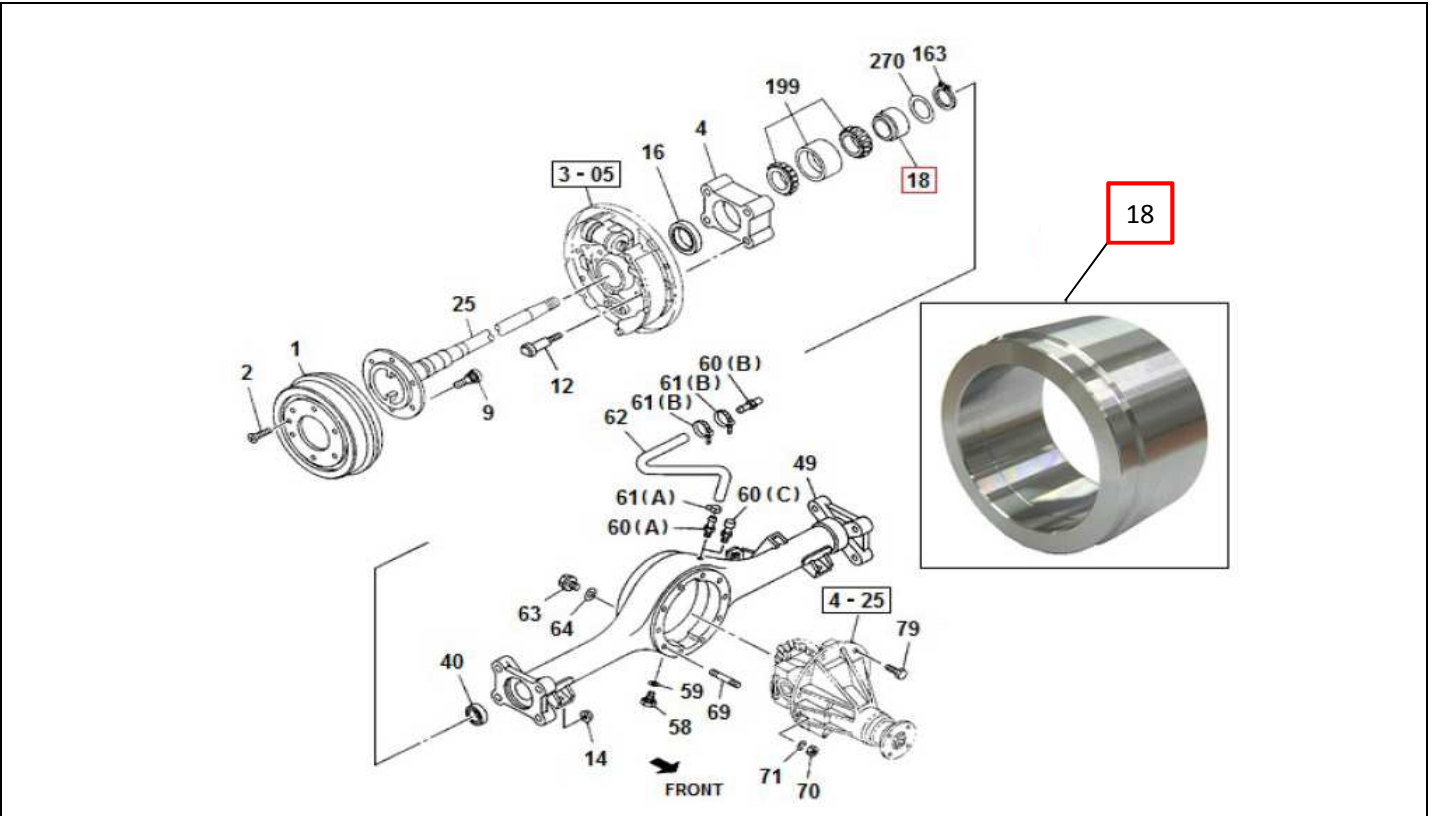


PART INFORMATION

No : 013 / PI / PART / IAMI / II / 15
 Tanggal : 18 Februari 2015
 Perihal : RETAINER REAR AXLE, D-MAX, IADG

FIG.NO : 4-20 REAR AXLE CASE AND SHAFT



NO	PART NEW	DESCRIPTION	FIG No.	KEY NO.	APPLIED DATE	RETAIL	REMARKS
1	16-97239 868-0	RETAINER REAR AXLE,D-MAX	4-20	18	0307-	Rp57.000	4JH1