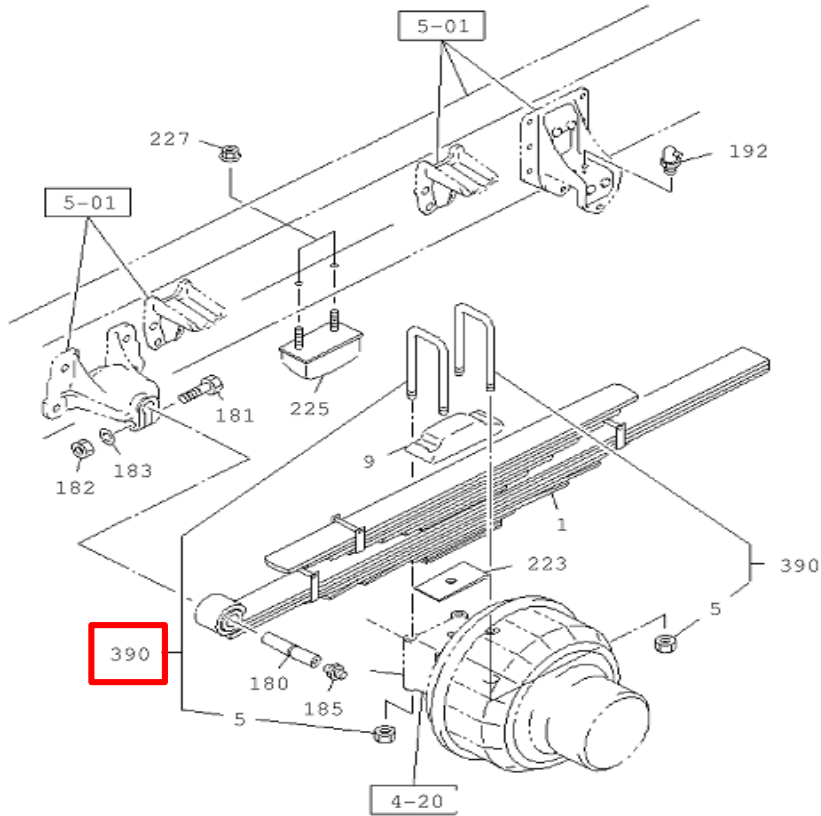


PART INFORMATION

No : FORM/D/16/006/Rev00
 Reff No : 013/PI/PART/IAMI/VIII/19
 Tanggal : 19 Agustus 2019
 Perihal : U-Bolt Set; Rr Spring

FIG NO : 4-60 REAR SUSPENSION



NO	PART NUMBER	ITC	DESCRIPTION	FIG No.	KEY NO.	APPLIED DATE	RETAIL	REMARKS
1	16-51371 049-0		U-BOLT SET; RR SPRING	4-60	390	1108-	Rp270.001	FVR