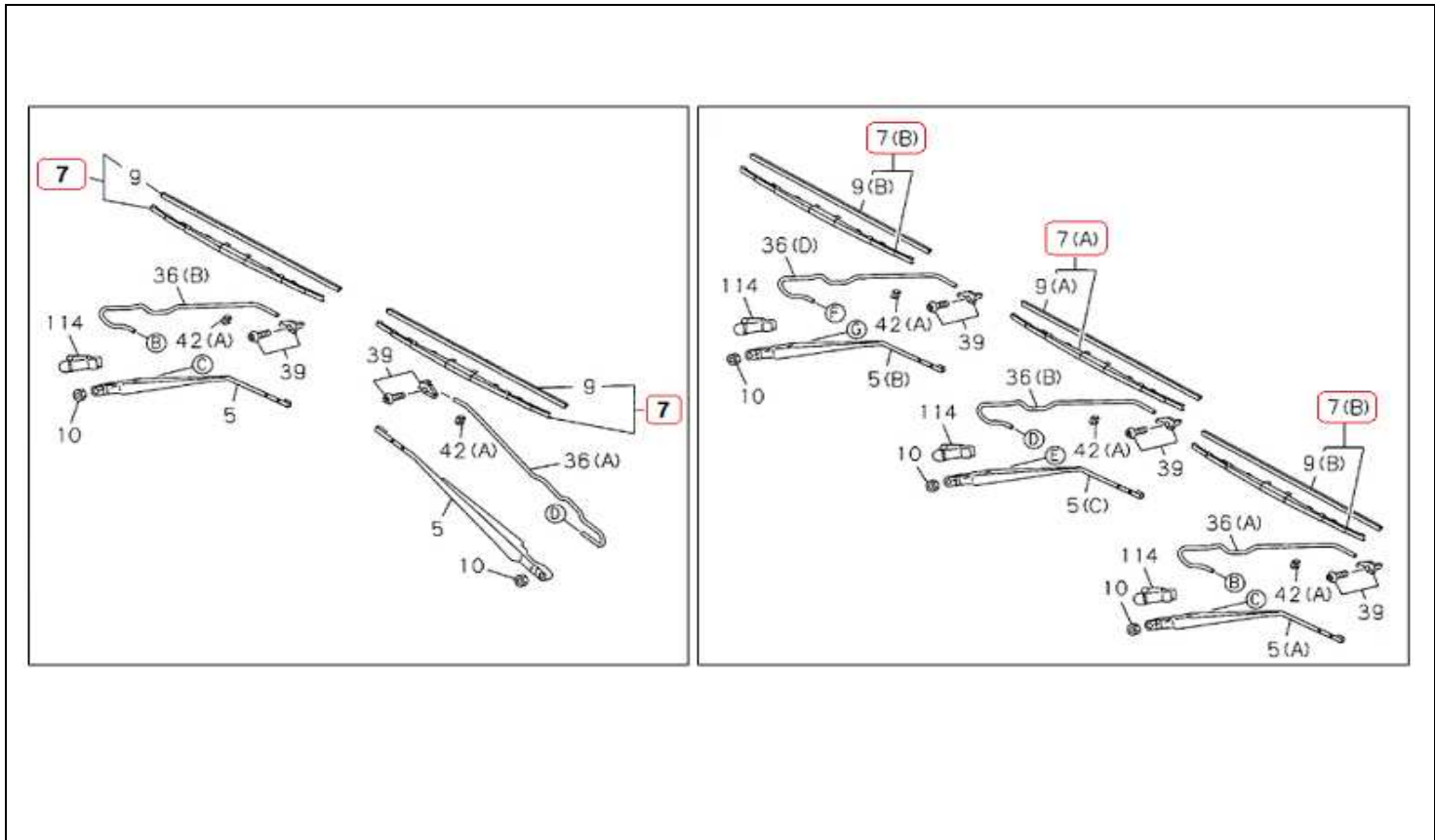


PART INFORMATION

No : 013 / PI / PART / IAMI / III / 2013
Tanggal : 05 Maret 2013
Perihal : WIPER BLADE IADG

FIG.NO : 8-80 WINDSHIELD WIPER AND WASHER



NO	PART NEW	DESCRIPTION	FIG No.	KEY NO.	APPLIED DATE	RETAIL	REMARKS
1	16-97349 900-0	WIPER BLADE	8-80	7	1301-	55.000	4JK1,(RH) NEW D-MAX
2	16-97349 903-0	WIPER BLADE	8-80	7	0307-	46.000	4JH1,(LH) D-MAX
3	16-98193 815-0	WIPER BLADE	8-80	7	0307-	45.000	4JK1 (LH) NEW D-MAX
4	16-83315 045-0	WIPER BLADE	8-80	7	1103-	65.000	4HK1,(RH) FRR
5	16-83315 046-0	WIPER BLADE	8-80	7	1103-	65.000	4HK1,(LH) FRR
6	16-83315 047-0	WIPER BLADE	8-80	7A	1103-	62.000	6HK1,FVZ, FVM, FVR, FTR
7	16-83315 048-0	WIPER BLADE	8-80	7B	1103-	60.000	6HK1,FVZ, FVM, FVR, FTR