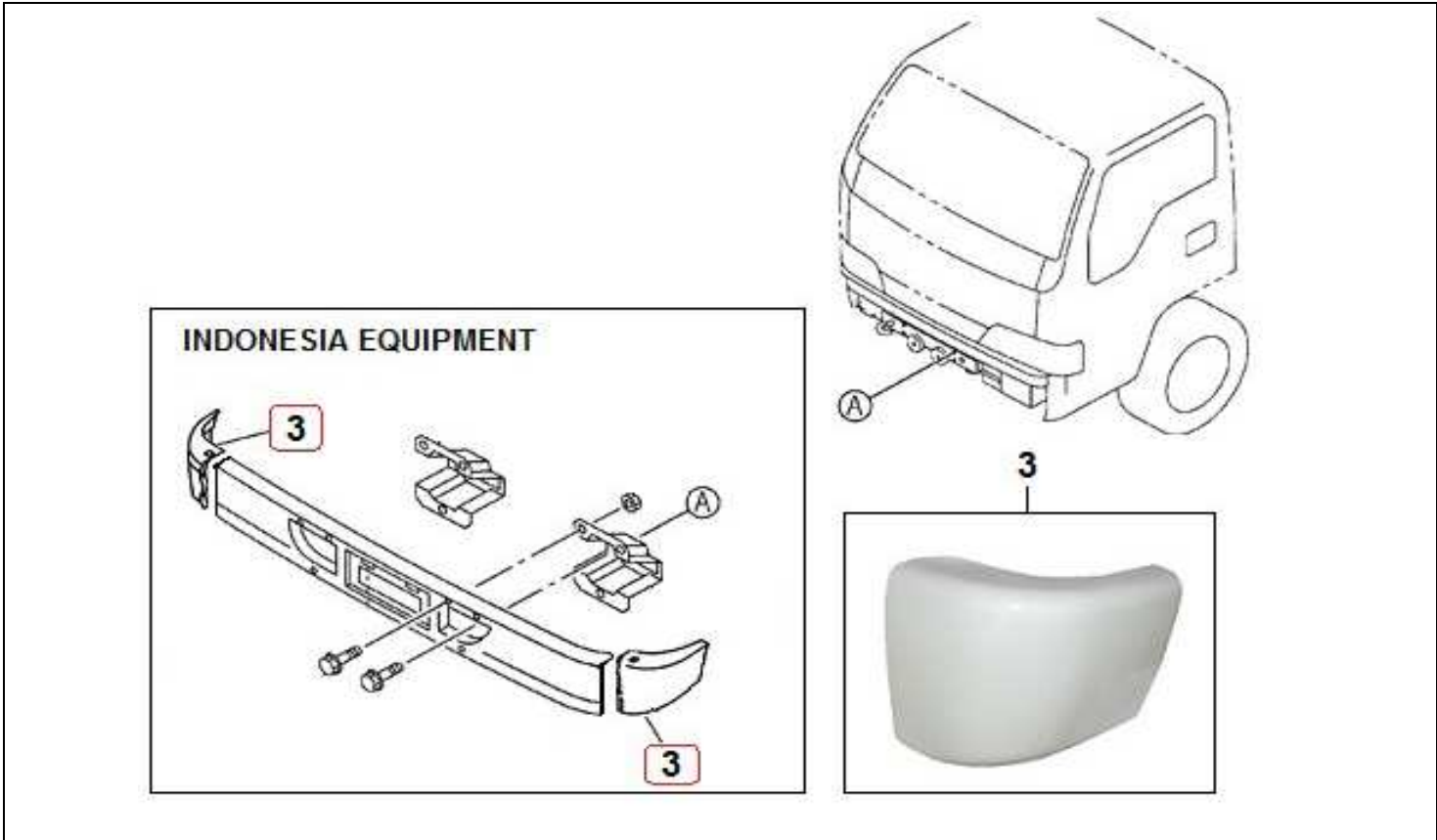


PART INFORMATION

No : 014 / PI / PART / IAMI / III / 2013
 Tanggal : 20 Maret 2013
 Perihal : BUMPER FRT SIDE RH,N#

FIG.NO : 6-01 FRONT BUMPER



NO	PART NEW	DESCRIPTION	FIG No.	KEY NO.	APPLIED DATE	RETAIL	REMARKS
1	I6-48002 210-0	BUMPER FRT SIDE RH,N#	6-01	3	1011-	72.000	NHR55, NKR55, NKR71 E2
2	I6-48003 210-0	BUMPER FRT SIDE LH,N#	6-01	3	1011-	72.000	NHR55, NKR55, NKR71 E2

Prepared by : Eddy Pramono , 20 Maret 2013