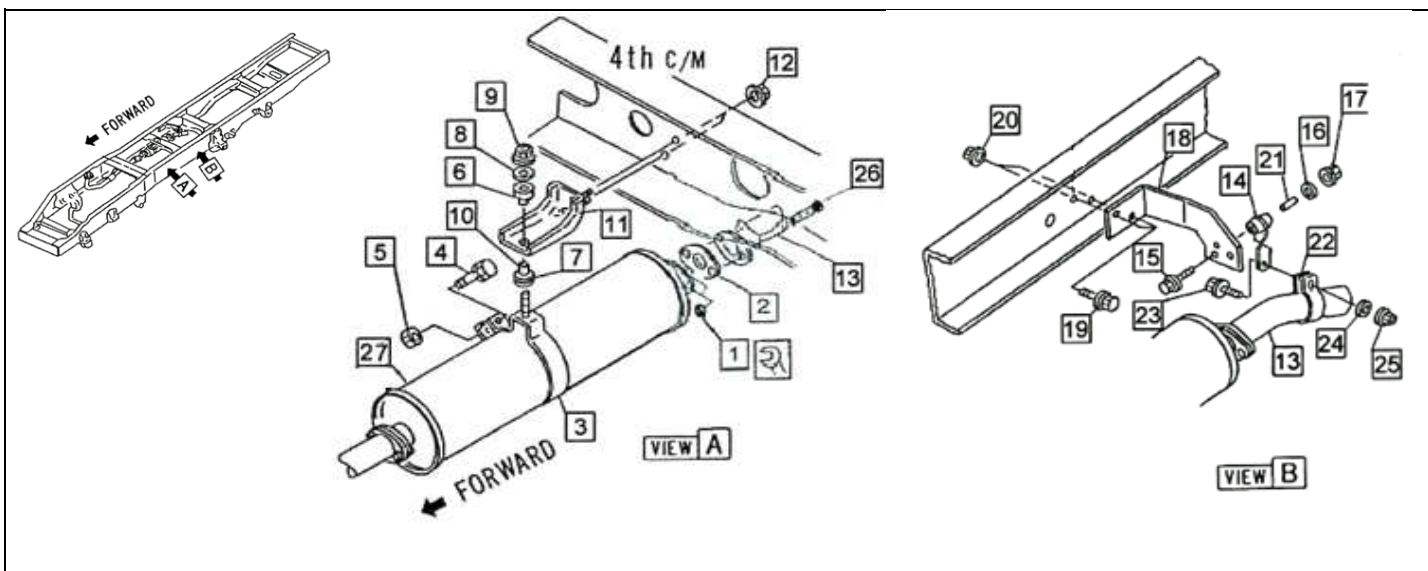


# PART INFORMATION

No : FORM/D/16/006/Rev00  
 Ref No : 014/PI/PART/IAMI/X/18  
 Tanggal : 23 Oktober 2018  
 Perihal : SILENCER (EXHAUST PIPE), NKR71; NMR71

**FIG NO : 1-50 EXHAUST PIPE AND SILENCER**



No	Part Number	ITC	Description	Fig No.	Picture No.	Applied Date	Retail	Remarks
1	I7-05110 010-A		NUT; EXH PIPE TO PIPE	1-50	1	1512-	5.000	M10
2	I8-94328 352-1		GASKET; EXH PIPE	1-50	2	1512-	80.000	ID=64.7
3	I8-97076 020-0		CLAMP; EXH PIPES	1-50	3	1512-	230.000	
4	I0-50540 845-0		BOLT; EXH PIPE	1-50	4	1512-	13.000	M8X45
5	I0-91110 508-0		NUT; CLAMP	1-50	5	1512-	10.000	M8
6	I8-94457 277-A		RUBBER; SUPPORT	1-50	6	1512-	10.000	
7	I8-94457 278-A		RUBBER; SUPPORT	1-50	7	1512-	5.000	
8	I8-94319 341-0		WASHER; PL, BRKT	1-50	8	1807-	20.000	ID=10.5 OD=55
9	I5-09440 006-0		NUT; HANGER BRKT	1-50	9	1512-	27.000	M10
10	I9-22151 217-0		COLLAR ; DIST, CLAMP	1-50	10	1512-	15.000	L=37.5
11	I8-94329 856-0		BRACKET; SILENCER MTG	1-50	11	1512-	130.000	
12	I0-91180 108-0		NUT; BRKT	1-50	12	1512-	10.000	M8
13	I8-97696 436-A		PIPE; EXH, RR	1-50	13	1512-	67.000	
14	I8-94156 256-0		RUBBER; SUPPORT, TAIL PIPE	1-50	14	1512-	73.000	L=115
15	I0-28051 070-0		BOLT; SUPPORT RUBBER	1-50	15	1512-	15.000	M10X70
16	I0-91614 810-0		WASHER; PL, SUPPORT RUBBER	1-50	16	1512-	5.000	ID=10.5 OD=32
17	I0-91110 510-0		NUT; SUPPORT RUBBER	1-50	17	1512-	15.000	M10
18	I8-97360 459-0		BRACKET; TAIL PIPE	1-50	18	1512-	290.000	
19	I0-28650 825-0		BOLT; BRKT	1-50	19	1512-	15.000	M8X25
20	I0-91180 108-0		NUT; BRKT	1-50	20	1512-	10.000	M8
21	I9-22151 217-0		COLLAR ; DIST, CLAMP	1-50	21	1512-	15.000	L=37.5
22	I8-97010 307-0		CLAMP; EXH PIPE	1-50	22	1512-	75.000	ID=61.6
23	I0-20800 845-0		BOLT; CLAMP	1-50	23	1512-	10.000	M8X45
24	I0-91614 608-0		WASTER; PL, CLAMP	1-50	24	1512-	5.000	
25	I0-91110 508-0		NUT; CLAMP	1-50	25	1512-	10.000	M8
26	I7-04510 035-A		BOLT FOR EXT FRAME	1-50	26	1512-	5.000	
27	I8-97696 435-A		SILENCER ASM; EXH	1-50	27	1512-	485.000	