

PART INFORMATION

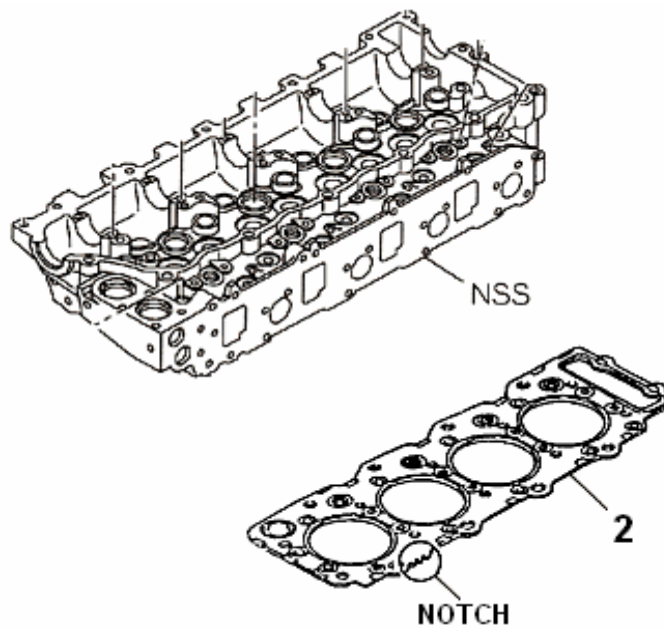
No : 015 / IAMI / PM / PART / III / 2011

Tanggal : 28 Maret 2011

Perihal : GASKET CYLINDER HEAD IADG

FIG.NO : 0-11 CYLINDER HEAD

4HF1



NO	PART NUMBER	DESCRIPTION	FIG NO	KEY NO	APPLIED DATE	RETAIL	REMARKS
1	I6-97105 873-0	GASKET; CYL HD, NKR66	0-11	2	9410-	154.000	T=1.80 2-NOTCH (NKR66)