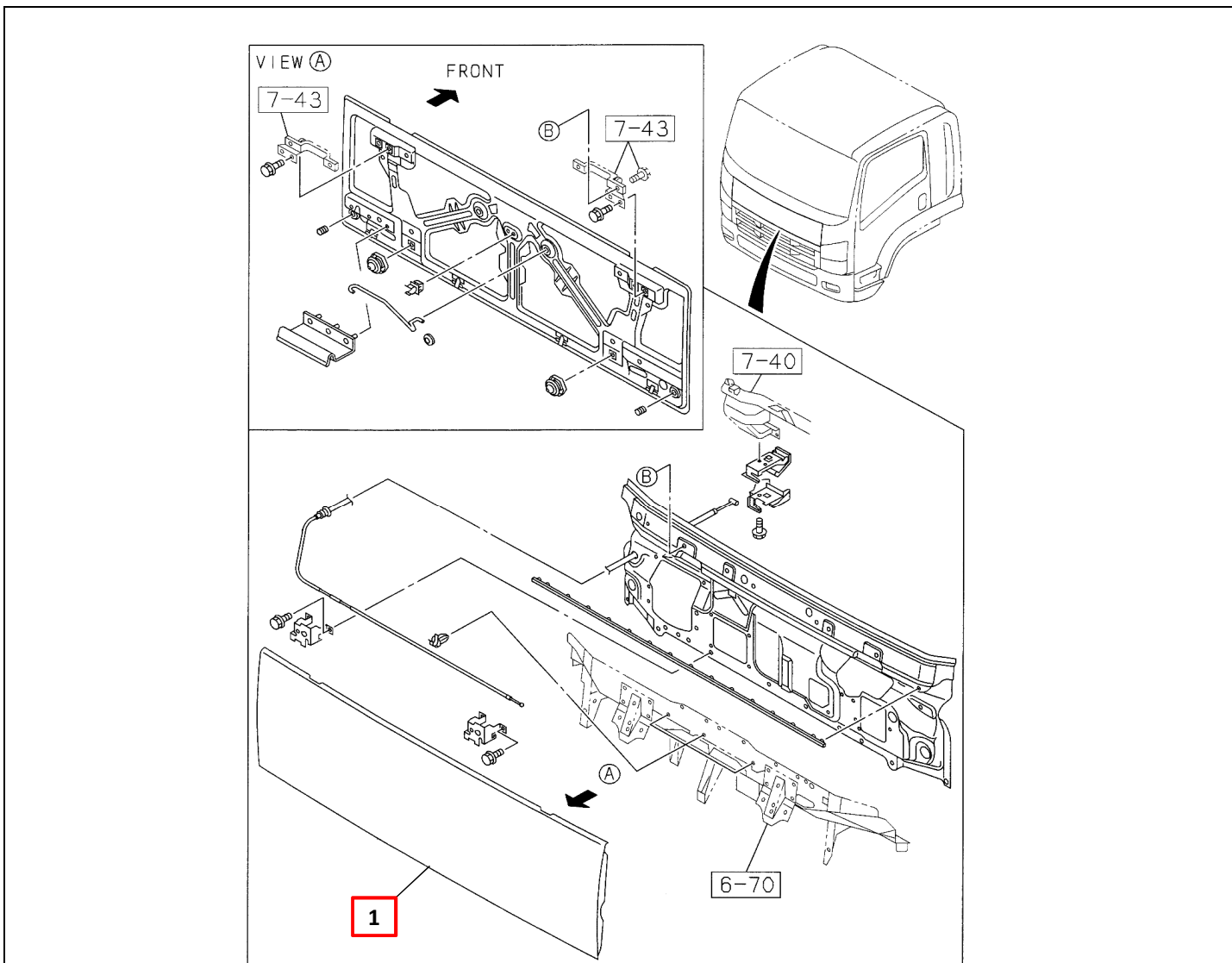


PART INFORMATION

No : FORM/D/16/006/Rev00
 Reff No : 015/PI/PART/IAMI/IX/16
 Tanggal : 5 September 2016
 Perihal : PANEL ASM; FRONT, IADG (FRR)

FIG.NO : 6-05 FRONT PANEL



NO	PART NUMBER	ITC	DESCRIPTION	FIG No.	KEY NO.	APPLIED DATE	RETAIL	REMARKS
1	I6-98030 230-0		PANEL ASM; FRT	6-05	1	1108-	Rp5.500.000	FRR