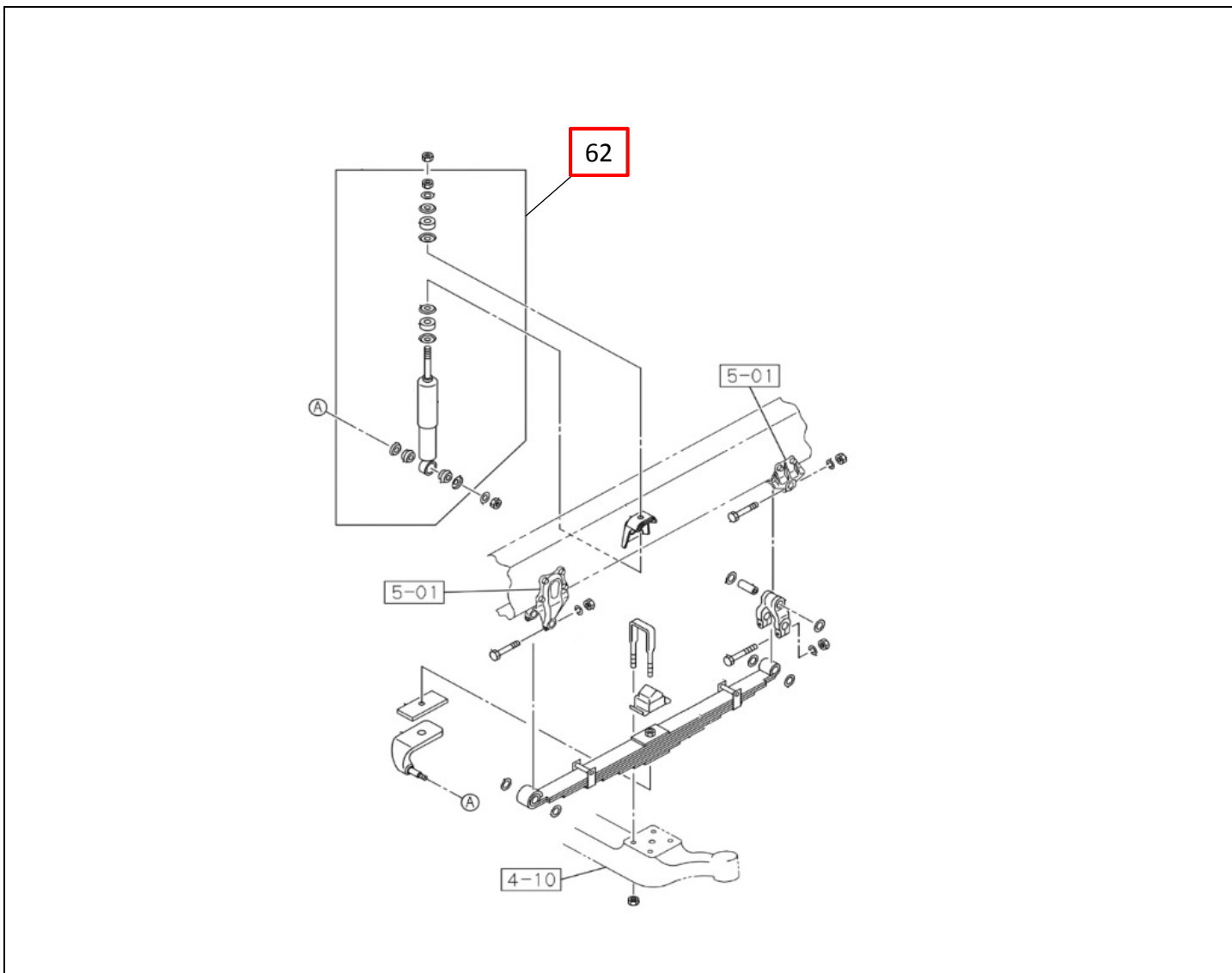


PART INFORMATION

No : FORM/D/16/006/Rev00
 Reff No : 015/PI/PART/IAMI/XI/18
 Tanggal : 01 November 2018
 Perihal : SHOCK ABSORBER FRT, VD00

FIG NO : 4-50 FRONT SUSPENSION



NO	PART NUMBER	ITC	DESCRIPTION	FIG No.	KEY NO.	APPLIED DATE	RETAIL	REMARKS
1	I8-98313 145-A		ABSORBER ASM; SHOCK,FRT	4-50	62	1706-	Rp810.000	FVZ ; FVM
2	I8-98340 431-A		ABSORBER ASM; SHOCK,FRT	4-50	62	1706-	Rp810.000	FVR