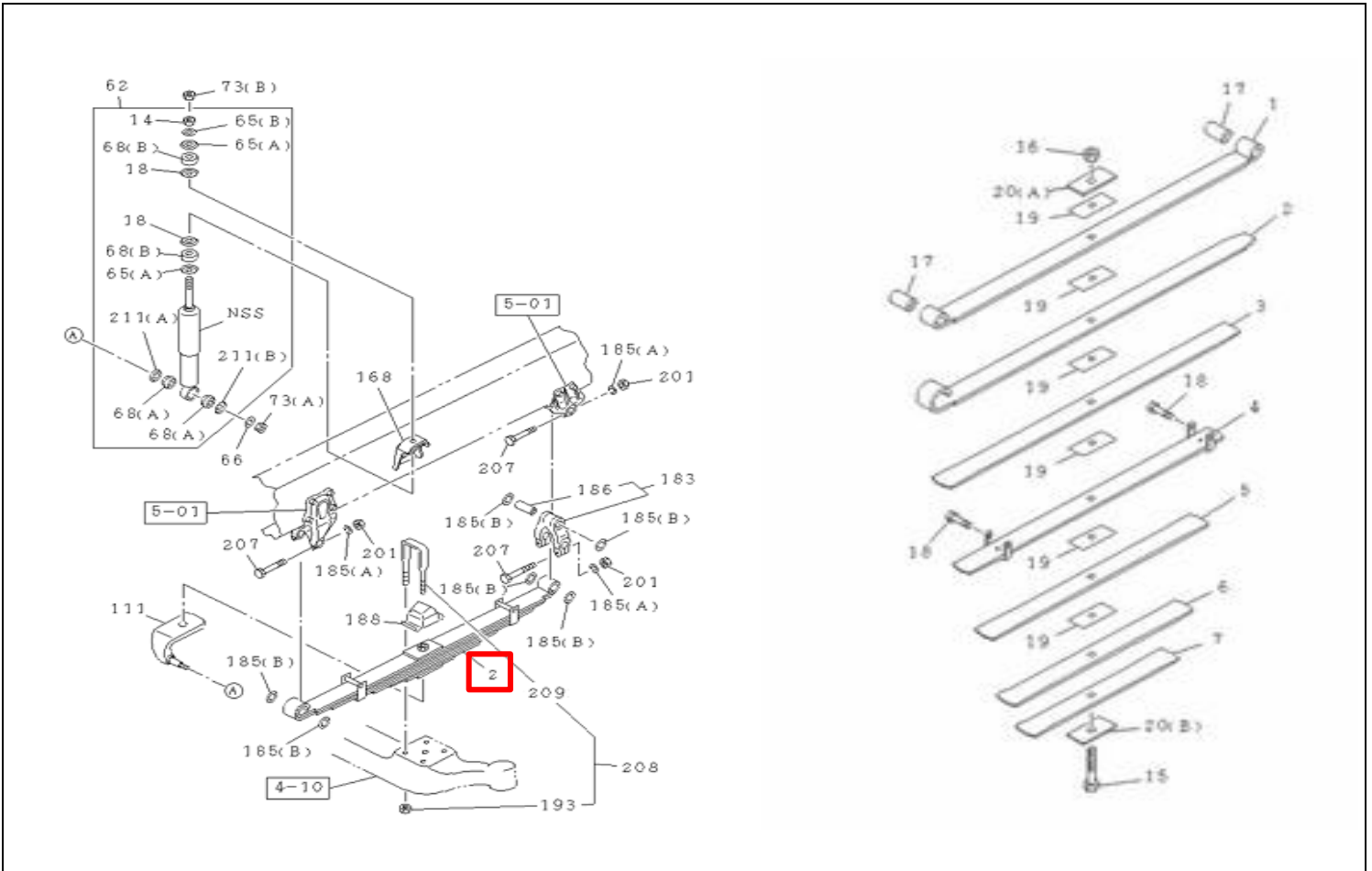


PART INFORMATION

No : FORM/D/16/006/Rev00
 Ref No : 015/PI/PART/IAMI/IX/19
 Tanggal : 04 September 2019
 Perihal : Spring Asm; Leaf, Frt, IADG

FIG NO : 4-50 FRONT SUSPENSION



NO	PART NUMBER	ITC	DESCRIPTION	FIG No.	KEY NO.	APPLIED DATE	RETAIL	REMARKS
1	16-97696 189-0		SPRING ASM; LEAF,FRT	4-50	002	1706-	Rp2.500.000	FVM VD00
2	16-97189 001-0		SPRING; LEAF,NO 1,FRT	4-55	001	1706-	Rp450.000	FVM VD00
3	16-97189 002-0		SPRING; LEAF,NO 2,FRT	4-55	002	1706-	Rp450.000	FVM VD00
4	16-97189 003-0		SPRING; LEAF,NO 3,FRT	4-55	003	1706-	Rp350.000	FVM VD00
5	16-97189 004-0		SPRING; LEAF,NO 4,FRT	4-55	004	1706-	Rp350.000	FVM VD00
6	16-97189 005-0		SPRING; LEAF,NO 5,FRT	4-55	005	1706-	Rp230.000	FVM VD00
7	16-97189 006-0		SPRING; LEAF,NO 6,FRT	4-55	006	1706-	Rp190.000	FVM VD00
8	16-97189 007-0		SPRING; LEAF,NO 7,FRT	4-55	007	1706-	Rp110.000	FVM VD00
9	16-00189 100-0		BOLT; CENTER,LEAF SPR,FRT W/ NUT	4-55	015	1706-	Rp32.000	FVM VD00
10	16-00189 200-0		BUSHING; LEAF SPR,FRT	4-55	017	1706-	Rp66.000	FVM VD00
11	16-00189 300-0		BOLT; CLIP,LEAF SPR,FRT	4-55	018	1706-	Rp13.000	FVM VD00