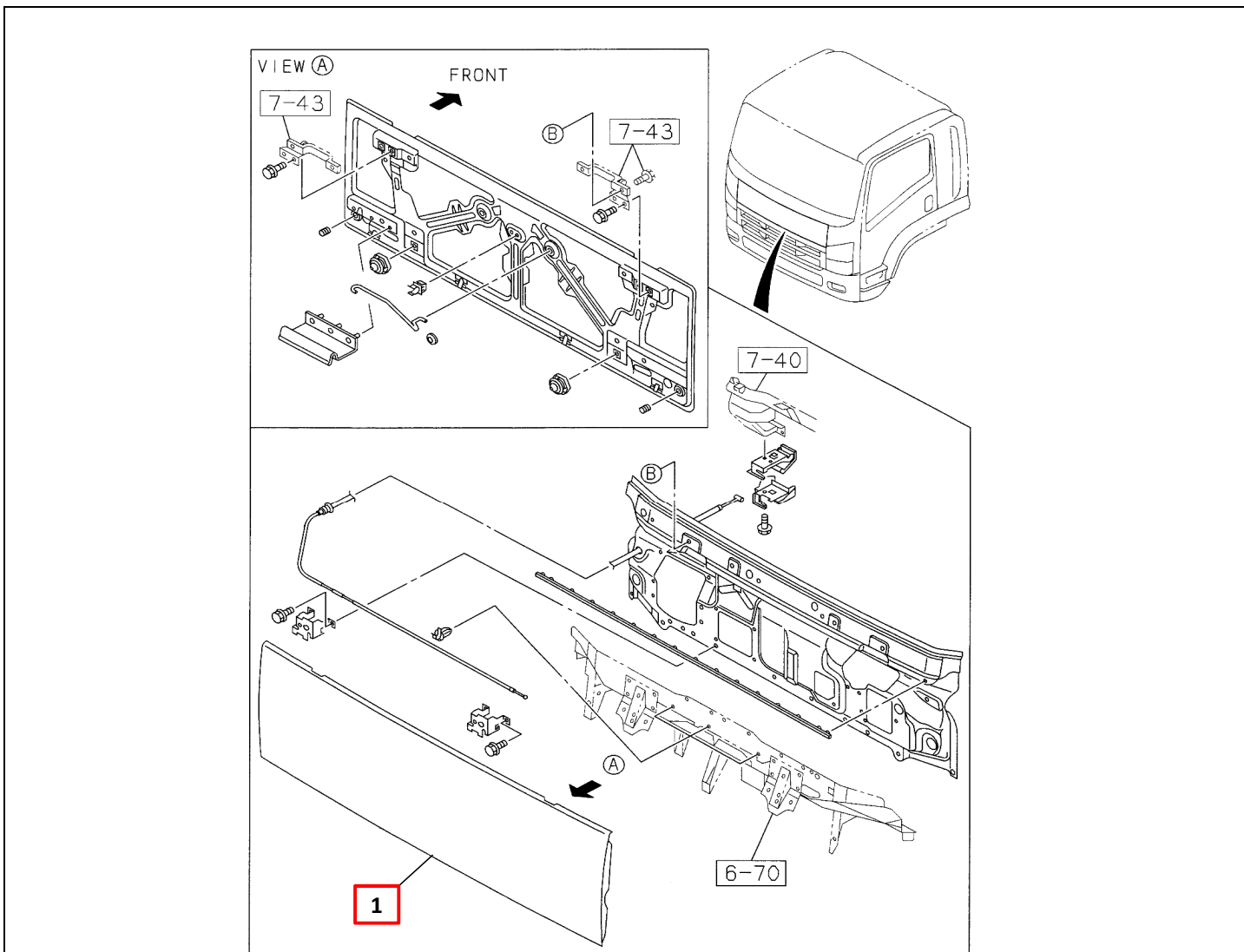


PART INFORMATION

No : FORM/D/16/006/Rev00
 Reff No : 016/PI/PART/IAMI/IX/16
 Tanggal : 5 September 2016
 Perihal : PANEL ASM; FRONT, IADG (FTR, FVR, FVM, FVZ)

FIG.NO : 6-05 FRONT PANEL



NO	PART NUMBER	ITC	DESCRIPTION	FIG No.	KEY NO.	APPLIED DATE	RETAIL	REMARKS
1	I6-98030 234-0		PANEL ASM; FRT FVZ34	6-05	1	1108-	Rp5.700.000	FTR; FVR; FVM; FVZ