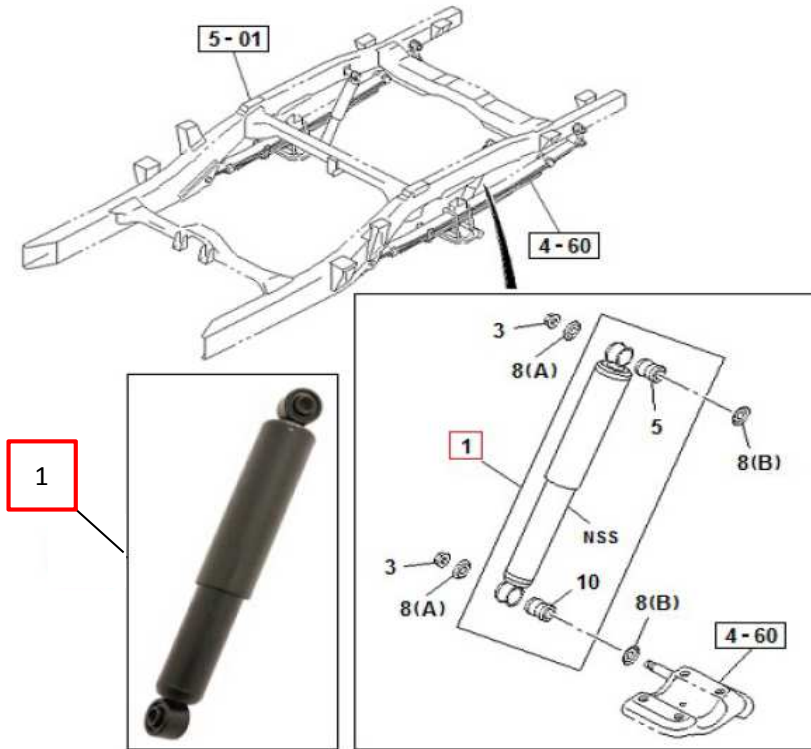


PART INFORMATION

No : 016 / PI / PART / IAMI / II / 15
Tanggal : 18 Februari 2015
Perihal : SHOCK ABS REAR, D-MAX

FIG.NO : 4-61 SHOCK ABSORBER; REAR SUSPENSION



NO	PART NEW	DESCRIPTION	FIG No.	KEY NO.	APPLIED DATE	RETAIL	REMARKS
1	18-97947 016-A	SHOCK ABS REAR	4-61	1	1205-	Rp220.000	4JK1