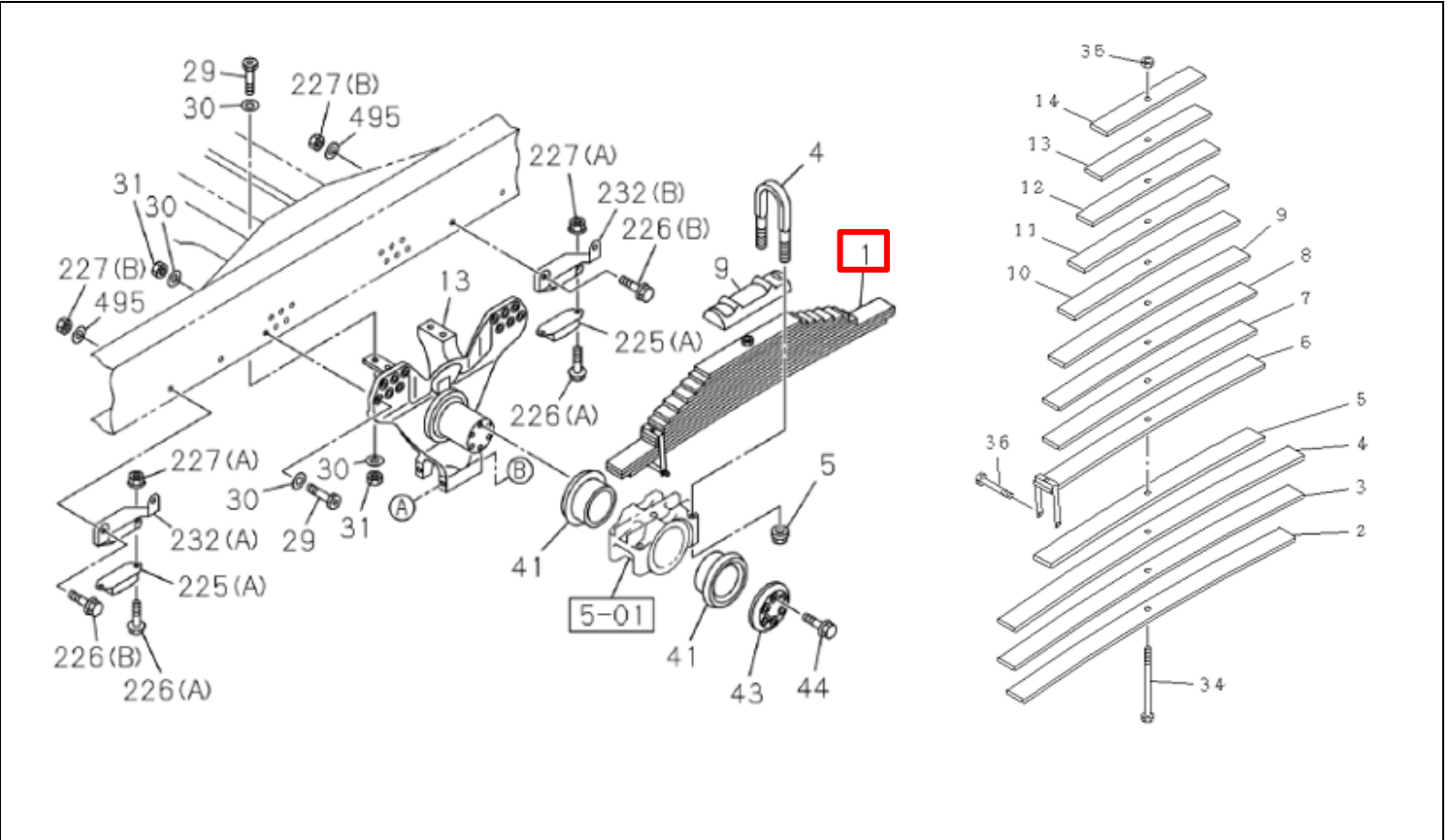


PART INFORMATION

No : FORM/D/16/006/Rev00
 Reff No : 016/PI/PART/IAMI/IX/19
 Tanggal : 04 September 2019
 Perihal : Spring Asm; Leaf, Rr, IADG

FIG NO : 4-60 REAR SUSPENSION



NO	PART NUMBER	ITC	DESCRIPTION	FIG No.	KEY NO.	APPLIED DATE	RETAIL	REMARKS
1	16-97696 187-0		SPRING ASM; LEAF,RR	4-60	001	1706-	Rp7.400.000	FVM VD00
2	16-97187 001-0		SPRING; LEAF,NO 1,RR MAIN	4-65	002	1706-	Rp760.000	FVM VD00
3	16-97187 002-0		SPRING; LEAF,NO 2,RR MAIN	4-65	003	1706-	Rp760.000	FVM VD00
4	16-97187 003-0		SPRING; LEAF,NO 3,RR MAIN	4-65	004	1706-	Rp760.000	FVM VD00
5	16-97187 004-0		SPRING; LEAF,NO 4,RR MAIN	4-65	005	1706-	Rp650.000	FVM VD00
6	16-97187 005-0		SPRING; LEAF,NO 5,RR MAIN	4-65	006	1706-	Rp650.000	FVM VD00
7	16-97187 006-0		SPRING; LEAF,NO 6,RR MAIN	4-65	007	1706-	Rp610.000	FVM VD00
8	16-97187 007-0		SPRING; LEAF,NO 7,RR MAIN	4-65	008	1706-	Rp610.000	FVM VD00
9	16-97187 008-0		SPRING; LEAF,NO 8,RR MAIN	4-65	009	1706-	Rp540.000	FVM VD00
10	16-97187 009-0		SPRING; LEAF,NO 9,RR MAIN	4-65	010	1706-	Rp630.000	FVM VD00
11	16-97187 010-0		SPRING; LEAF,NO 10,RR MAIN	4-65	011	1706-	Rp410.000	FVM VD00
12	16-97187 011-0		SPRING; LEAF,NO 11,RR MAIN	4-65	012	1706-	Rp360.000	FVM VD00
13	16-97187 012-0		SPRING; LEAF,NO 12,RR MAIN	4-65	013	1706-	Rp280.000	FVM VD00
14	16-00187 100-0		BOLT; CENTER,LEAF SPR,RR MAIN W/ NUT	4-65	017	1706-	Rp47.000	FVM VD00
15	16-00187 200-0		BOLT; CLIP,LEAF SPR,RR FVM	4-65	018	1706-	Rp9.000	FVM VD00