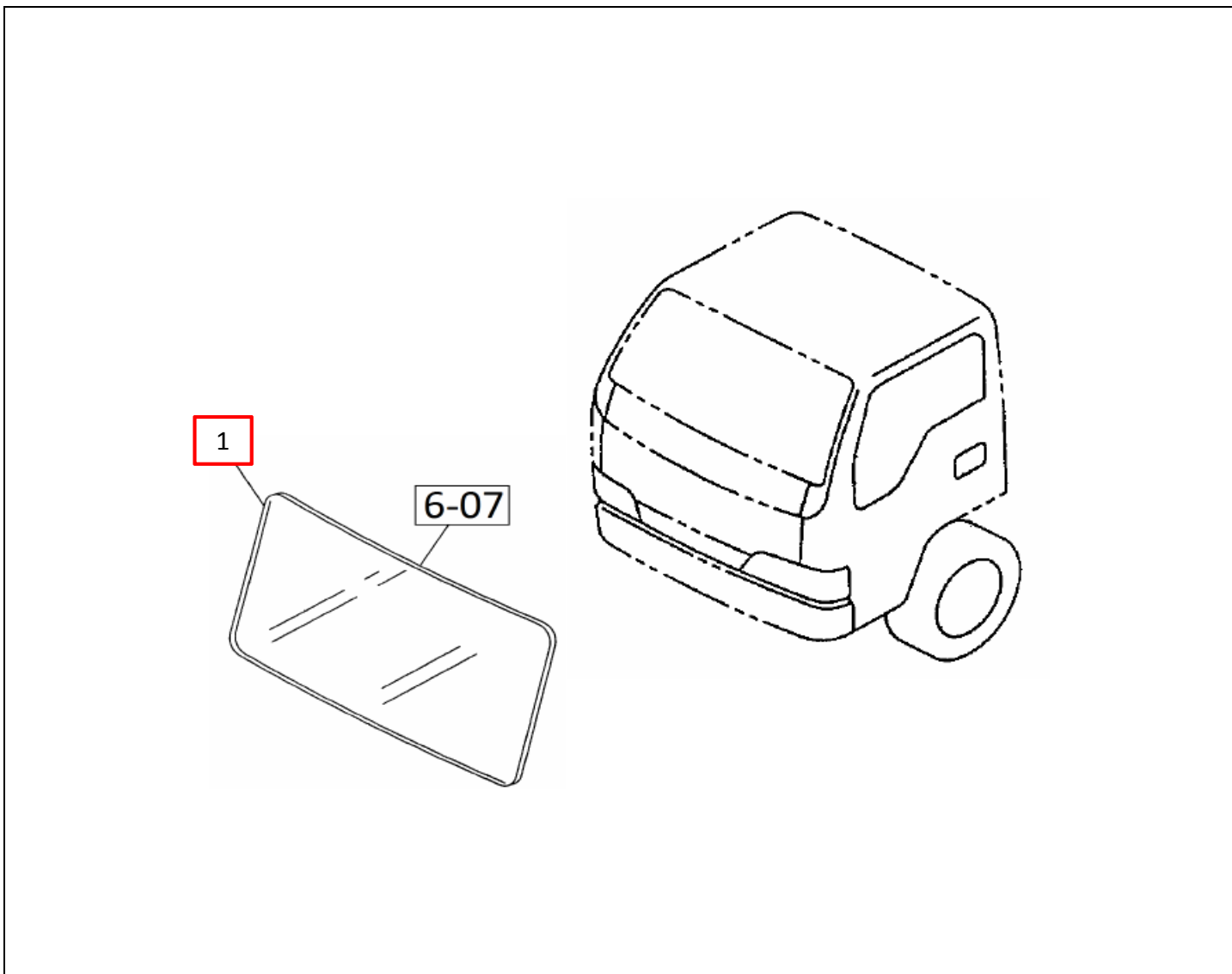


PART INFORMATION

No : FORM/D/16/006/Rev00
 Reff No : 017/PI/PART/IAMI/XII/18
 Tanggal : 23 Januari 2019
 Perihal : GLASS WINDSHIELD, NHR55, NKR71 EURO 2

FIG NO : 6-07 FRONT WINDOW GLASS AND WEATHERSTRIP



NO	PART NUMBER	ITC	DESCRIPTION	FIG No.	KEY NO.	APPLIED DATE	RETAIL	REMARKS
1	I7-46100 210-B		GLASS ; WINDSHIELD	6-07	1	0702-	Rp750.000	NHR55 ; NKR71 EURO 2