

# PART INFORMATION

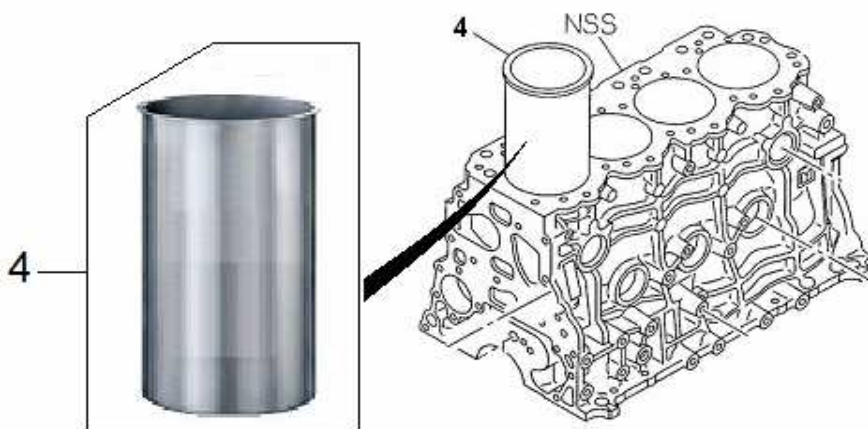
No : 017 / IAMI / PM / PART / III / 2011

Tanggal : 28 Maret 2011

Perihal : LINER CYLINDER BLOCK

FIG.NO : 0-12 CYLINDER BLOCK

4JB1



NO	PART NUMBER	DESCRIPTION	FIG NO	KEY NO	APPLIED DATE	RETAIL	REMARKS
1	I6-97176 687-0	LINER CYLINDER BLOCK	0-12	4	9811-	380.000	OD GRADE=3, ID GRADE=AX