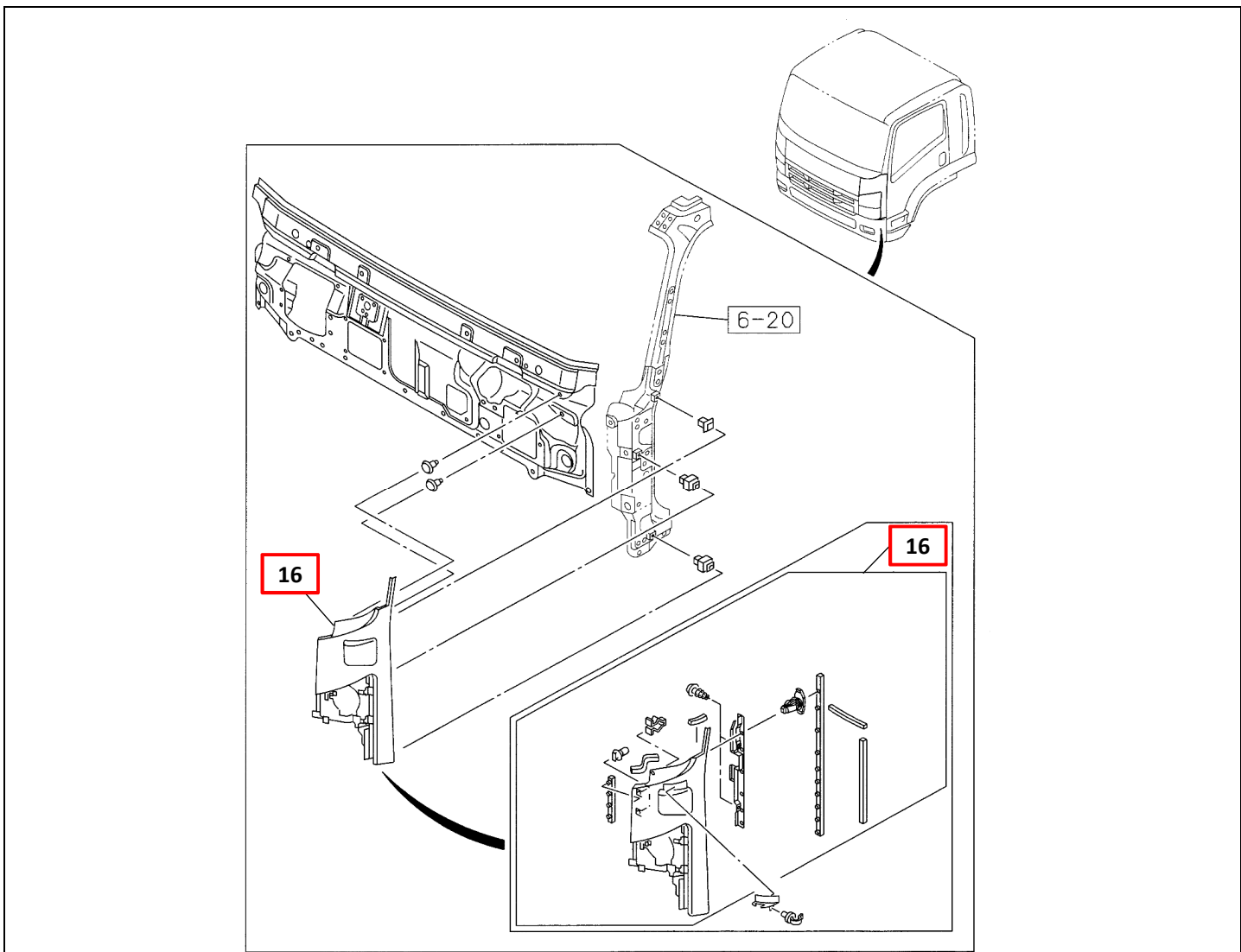


# PART INFORMATION

No : FORM/D/16/006/Rev00  
 Reff No : 017/PI/PART/IAMI/IX/16  
 Tanggal : 5 September 2016  
 Perihal : PANEL FRONT SIDE, F#, IADG

**FIG.NO : 6-05 FRONT PANEL**



NO	PART NUMBER	ITC	DESCRIPTION	FIG No.	KEY NO.	APPLIED DATE	RETAIL	REMARKS
1	I6-97407 509-0		PANEL; FRONT,SIDE, RH	6-05	16	1108-	Rp930.000	FRR; FTR; FVR; FVM; FVZ
2	I6-97407 511-0		PANEL; FRONT,SIDE, LH	6-05	16	1108-	Rp930.000	FRR; FTR; FVR; FVM; FVZ