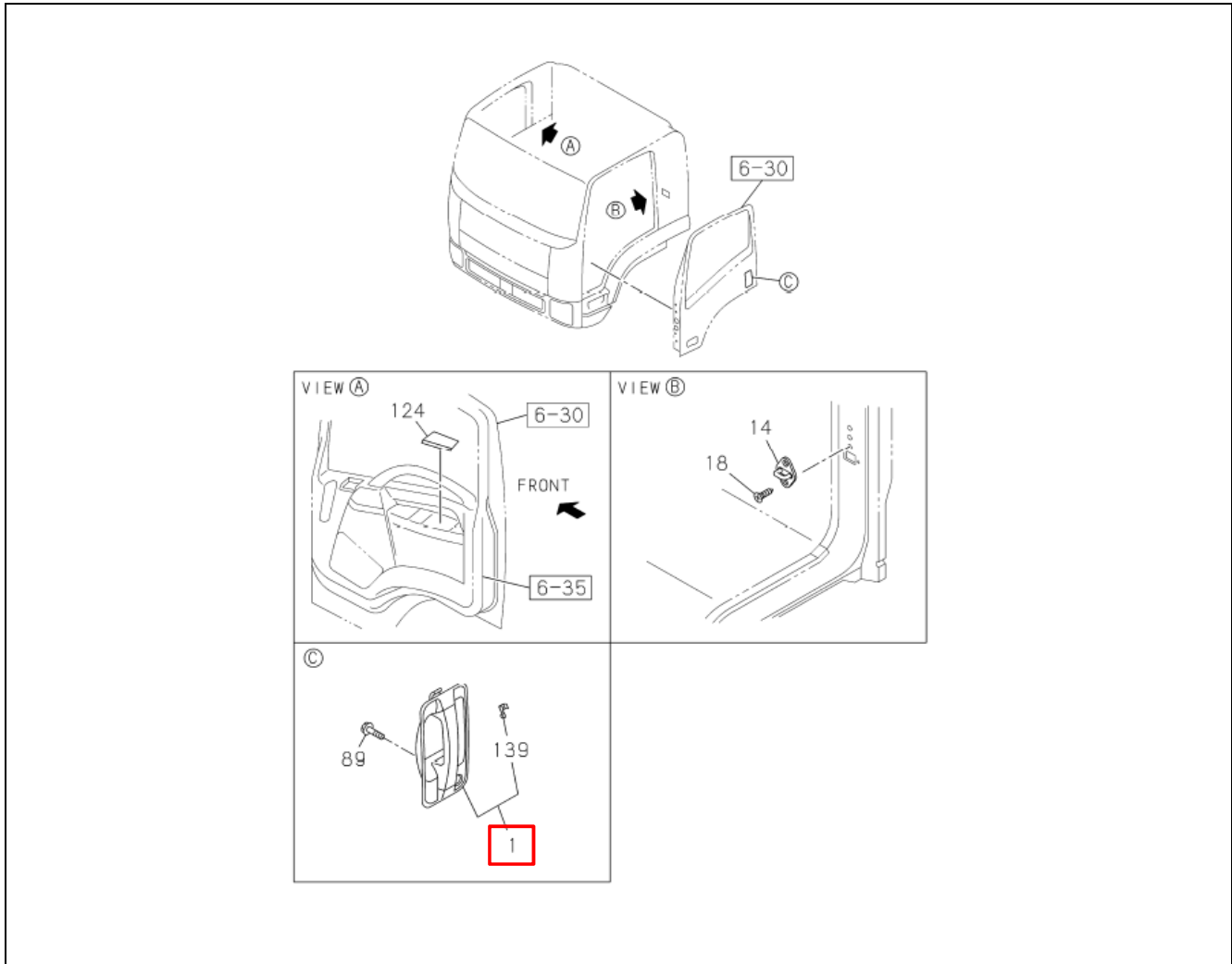


PART INFORMATION

No : FORM/D/16/006/Rev00
 Reff No : 018/PI/PART/IAMI/VIII/21
 Tanggal : 31 Agustus 2021
 Perihal : HANDLE OUTSIDE; FRONT DOOR, IADG

FIG NO : 6-32 FRONT DOOR LOCK AND HANDLE



NO	PART NUMBER	ITC	DESCRIPTION	FIG No.	KEY NO.	APPLIED DATE	REMARKS
1	16-98037 100-0		HANDLE; OUTSIDE,FRT DOOR, LH	632	001	1512-	For Unit :
						1512-	- NLR55, NLR71, NMR71, NPS81
2	16-98037 101-0		HANDLE; OUTSIDE,FRT DOOR, RH	632	001	1512-	- FRR, FTR, FVR, FVM, FVZ, GVR, GVZ, GXZ