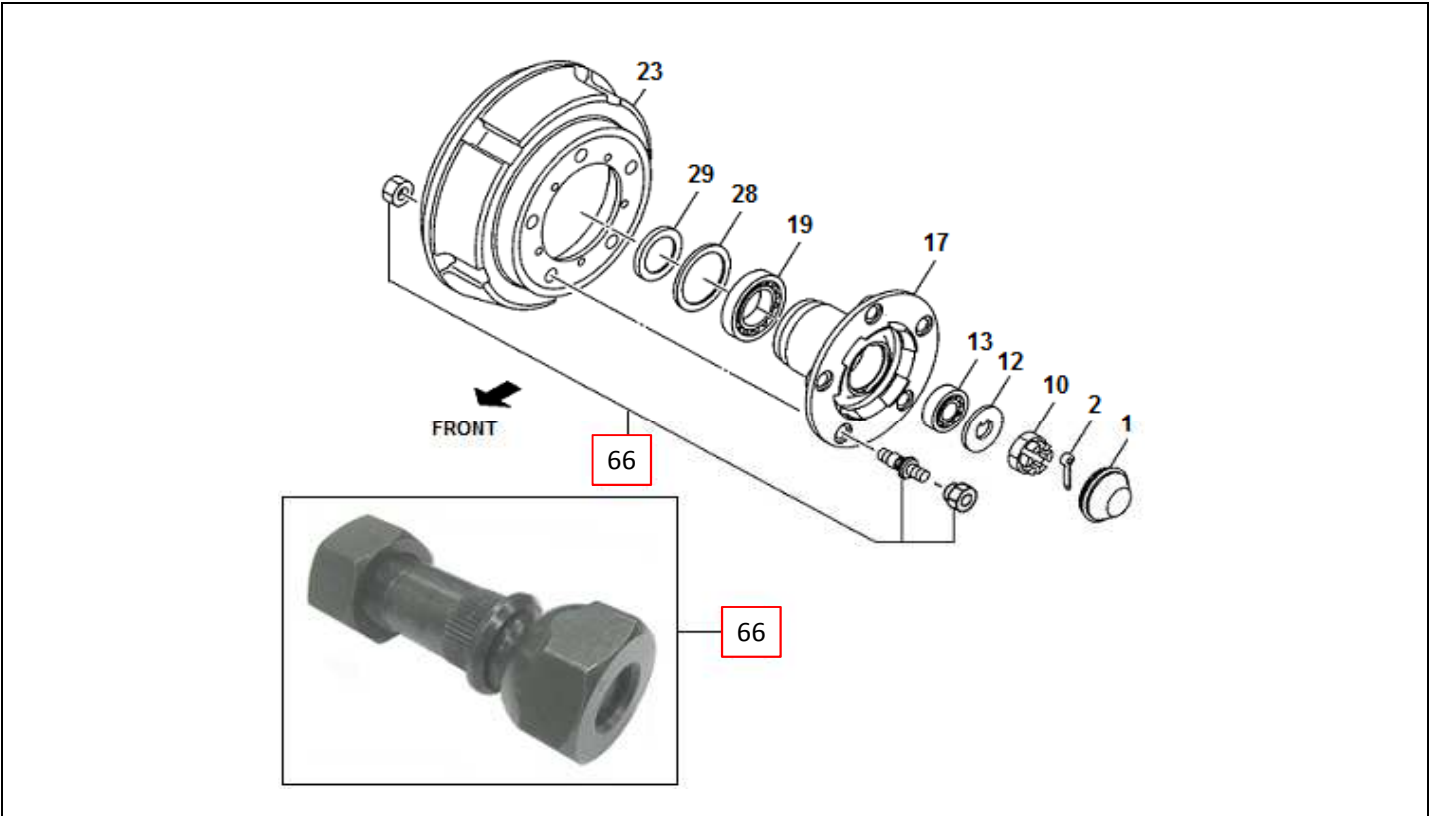


PART INFORMATION

No : 018 / PI / PART / IAMI / III / 15
Tanggal : 4 Maret 2015
Perihal : PIN WHEEL SET FRONT, NKR66, IADG

FIG.NO : 4-11 FRONT HUB AND DRUM OR ROTOR



NO	PART NEW	DESCRIPTION	FIG No.	KEY NO.	APPLIED DATE	RETAIL	REMARKS
1	I6-87411 884-0	PIN WHEEL SET FRONT	4-11	66	9312-	Rp45.000	(RH); 4HF1
2	I6-87411 885-0	PIN WHEEL SET FRONT	4-11	66	9312-	Rp45.000	(LH); 4HF1