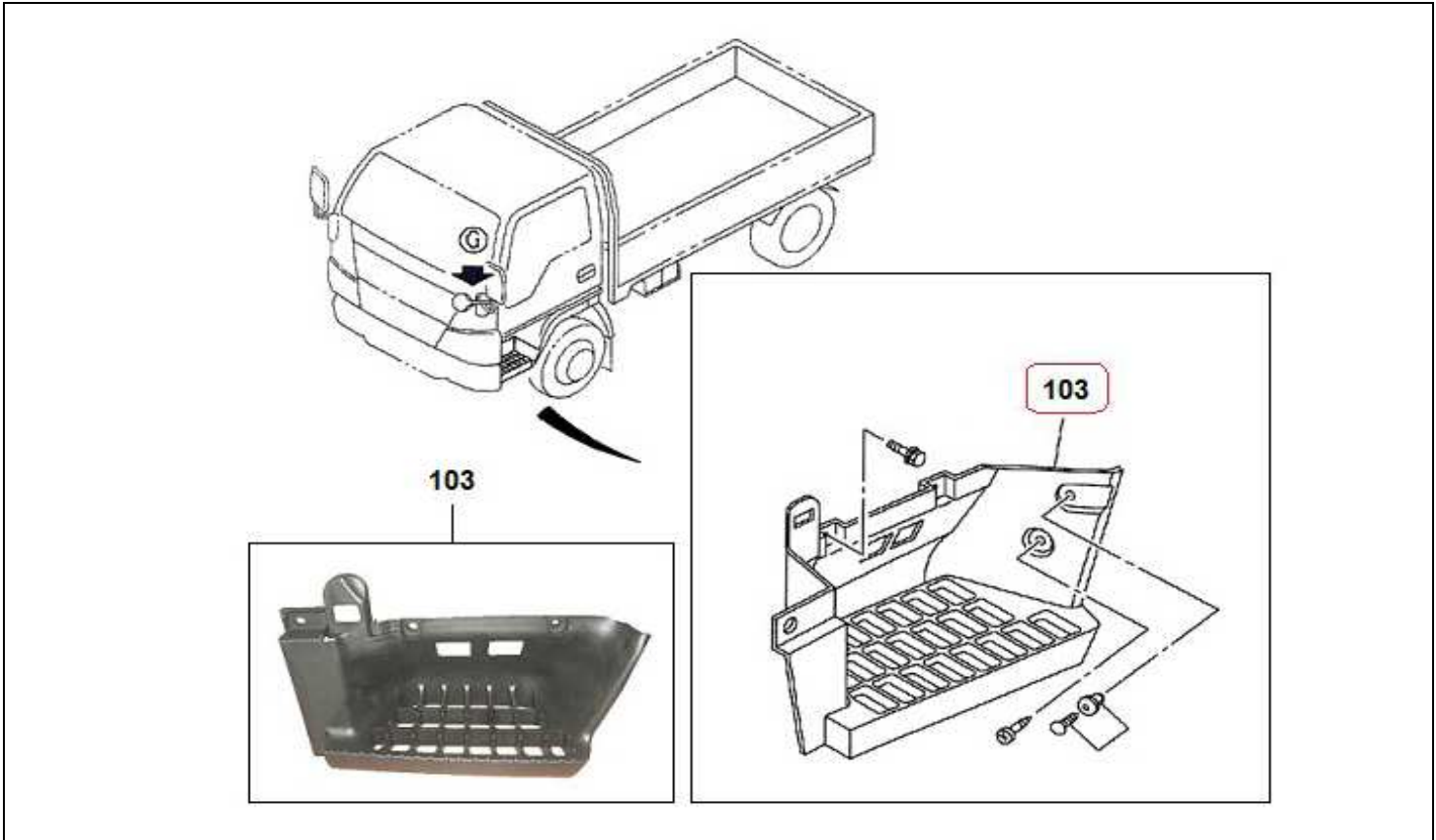


PART INFORMATION

No : 018 / PI / PART / IAMI / IV / 2013
Tanggal : 22 April 2013
Perihal : PLATE STEP N SERIES IADG

FIG.NO : 6-20 SIDE PANEL AND STEP



NO	PART NEW	DESCRIPTION	FIG No.	KEY NO.	APPLIED DATE	RETAIL	REMARKS
1	I6-97997 853-0	PLATE STEP RH	6-20	103	0702-	197.000	NHR55 E2, NKR71 E2
2	I6-97997 854-0	PLATE STEP LH	6-20	103	0702-	197.000	NHR55 E2, NKR71 E2