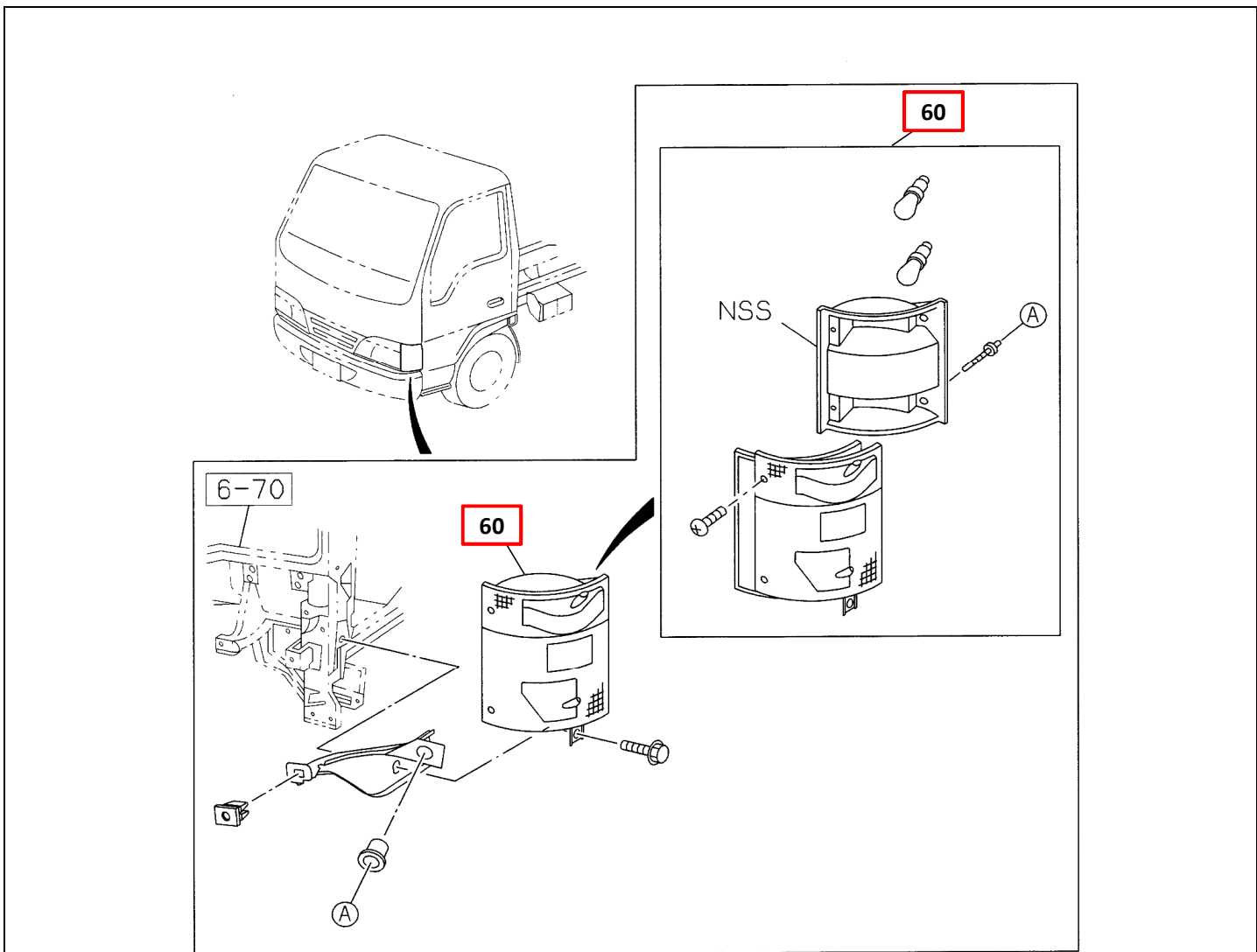


PART INFORMATION

No : FORM/D/16/006/Rev00
 Reff No : 018/PI/PART/IAMI/IX/16
 Tanggal : 5 September 2016
 Perihal : SIGNAL LAMP ASM, NHR55, IADG

FIG.NO : 8-01 LAMP; FRONT AND FRONT SIDE



NO	PART NUMBER	ITC	DESCRIPTION	FIG No.	KEY NO.	APPLIED DATE	RETAIL	REMARKS
1	I6-98053 977-0		SIGNAL LAMP ASSY RH	8-01	60	0211-	Rp76.000	NHR55
2	I6-98053 978-0		SIGNAL LAMP ASSY LH	8-01	60	0211-	Rp76.000	NHR55