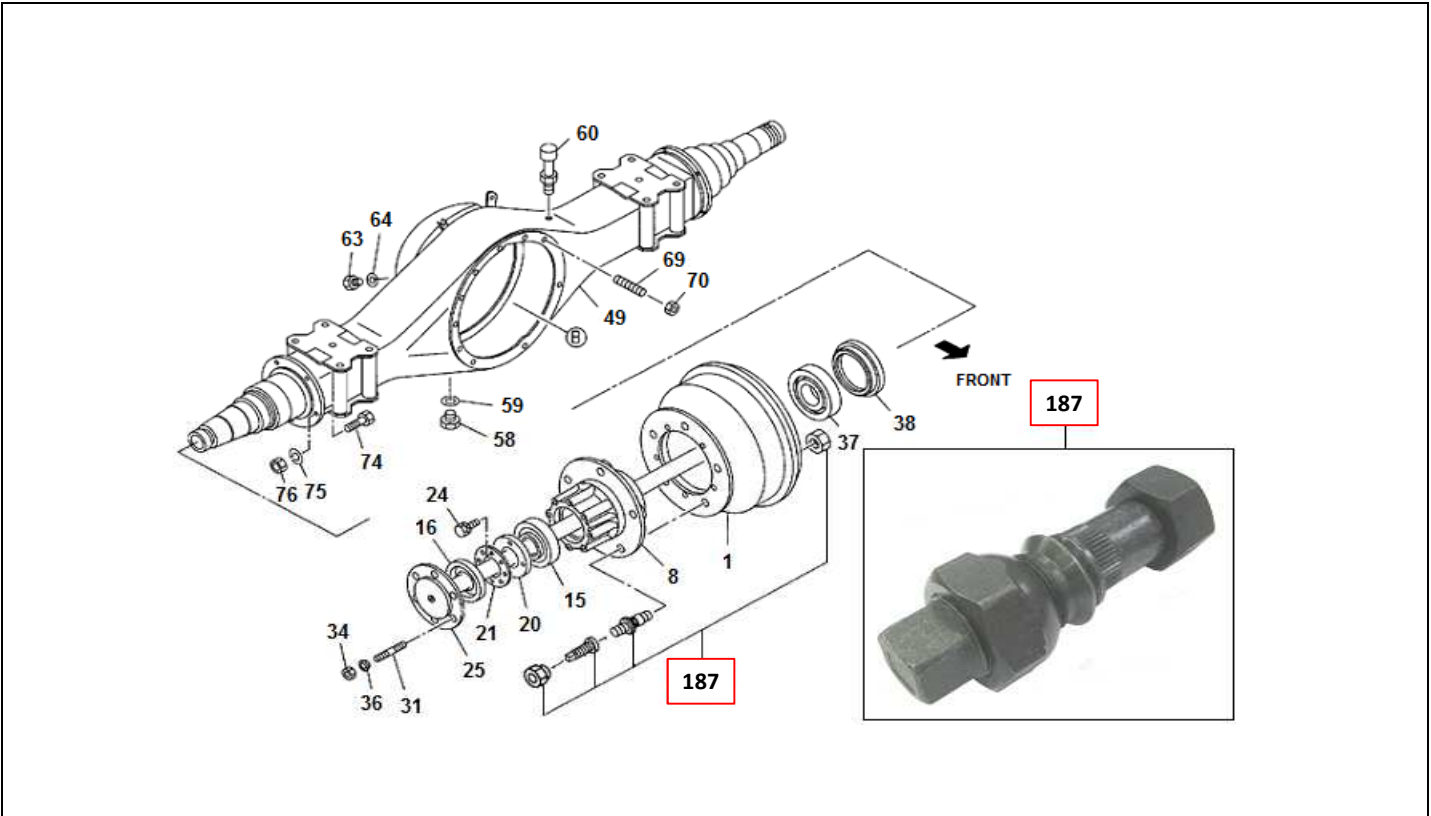


PART INFORMATION

No : 019 / PI / PART / IAMI / III / 15
 Tanggal : 4 Maret 2015
 Perihal : PIN WHEEL SET REAR, NKR66, IADG

FIG.NO : 4-20 REAR AXLE CASE AND SHAFT



NO	PART NEW	DESCRIPTION	FIG No.	KEY NO.	APPLIED DATE	RETAIL	REMARKS
1	I6-87411 895-0	PIN WHEEL SET REAR	4-20	187	9312-	Rp50.000	(RH); 4HF1
2	I6-87411 896-0	PIN WHEEL SET REAR	4-20	187	9312-	Rp50.000	(LH); 4HF1