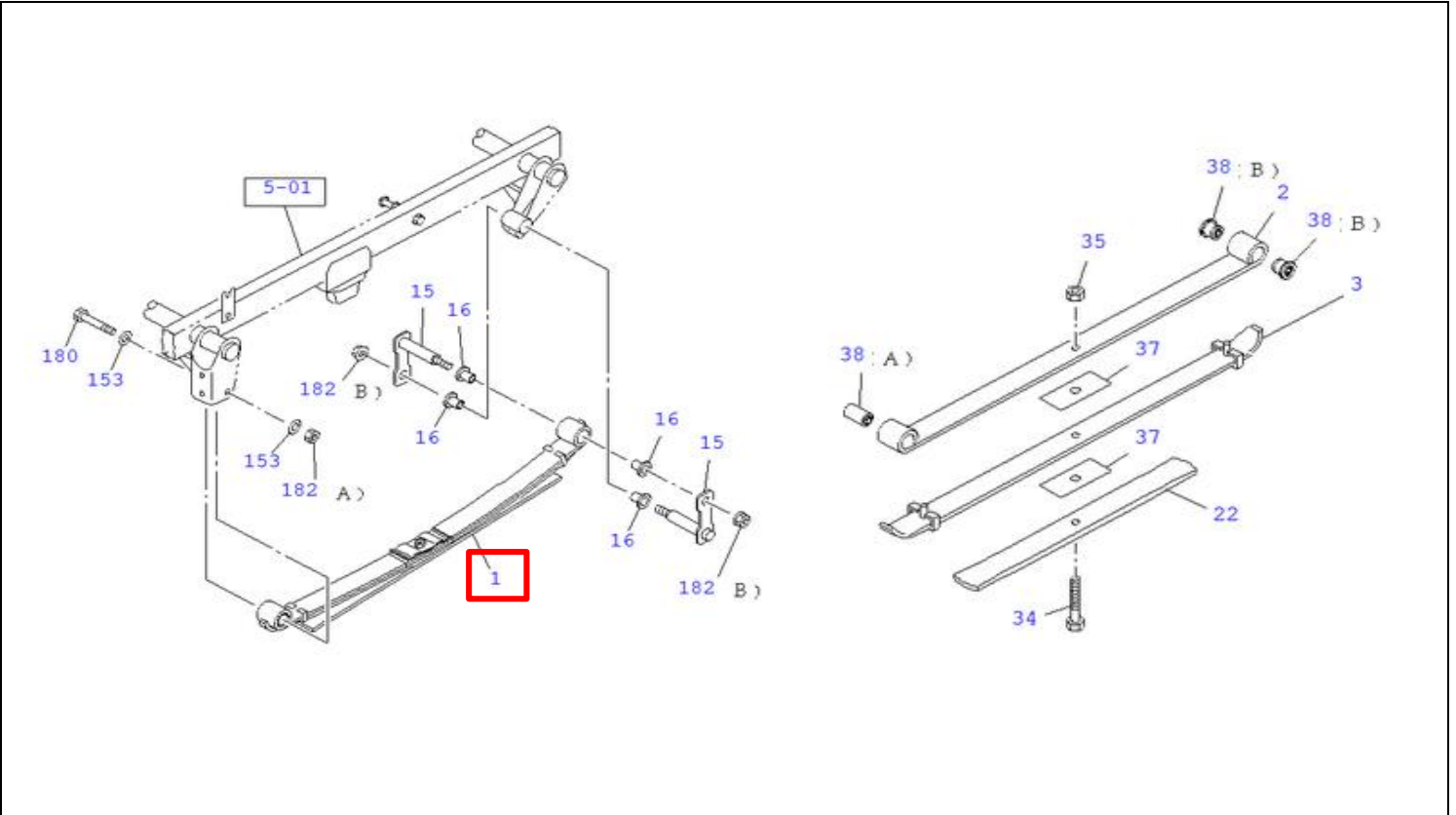


# PART INFORMATION

No : FORM/D/16/006/Rev00  
 Reff No : 020/PI/PART/IAMI/XI/19  
 Tanggal : 05 November 2019  
 Perihal : Spring Asm; Leaf, Rr, IADG

FIG NO : 4-60 REAR SUSPENSION



NO	PART NUMBER	ITC	DESCRIPTION	FIG No.	KEY NO.	APPLIED DATE	RETAIL	REMARKS
1	I6-98240 614-0		SPRING ASM RR	4-60	001	1802-	Rp770.000	TRAGA
2	I6-97696 401-0		SPRING NO.1 RR	4-65	002	1802-	Rp287.000	TRAGA
3	I6-97696 402-0		SPRING NO.2 RR	4-65	003	1802-	Rp220.000	TRAGA
4	I6-97696 403-0		SPRING NO.3 RR	4-65	022	1802-	Rp240.000	TRAGA
5	I6-97696 408-0		SPACER REAR SPRING	4-65	037	1802-	Rp5.000	TRAGA