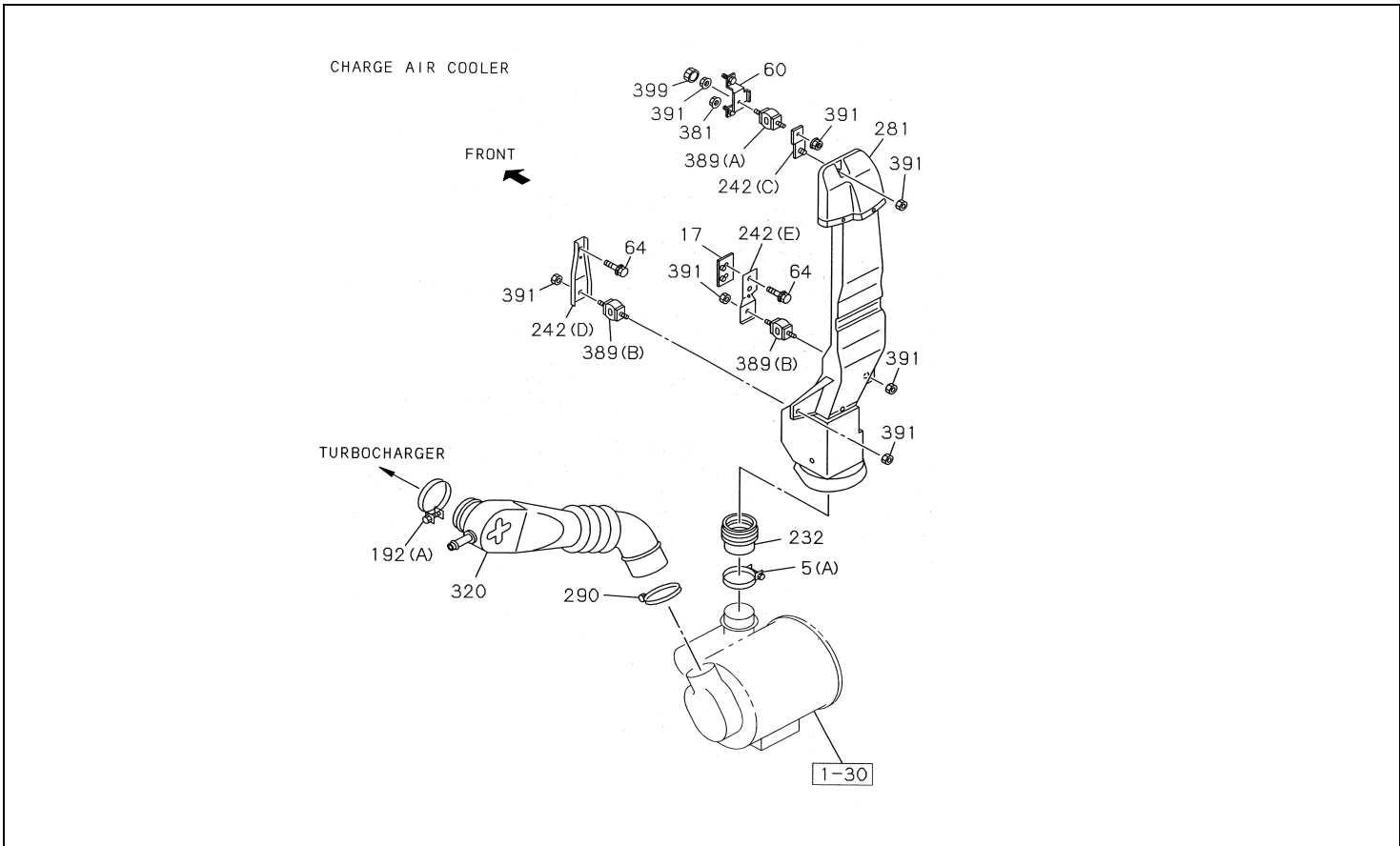


PART INFORMATION

No : 020 / PI / PART / IAMI / IV / 2013
 Tanggal : 25 April 2013
 Perihal : Up Date Ilustrasi & Partno untuk Fig No.1-31

FIG.NO : 1-31 AIR DUCT



NO	PART NEW	DESCRIPTION	FIG No.	KEY NO.	APPLIED DATE	RETAIL	REMARKS
<div style="border: 1px solid black; padding: 10px; width: fit-content; margin: 0 auto;"> Data Up date Part Catalog, terlampir (1-31_N# Peb 2011_Rev1 14032013.pdf) </div>							