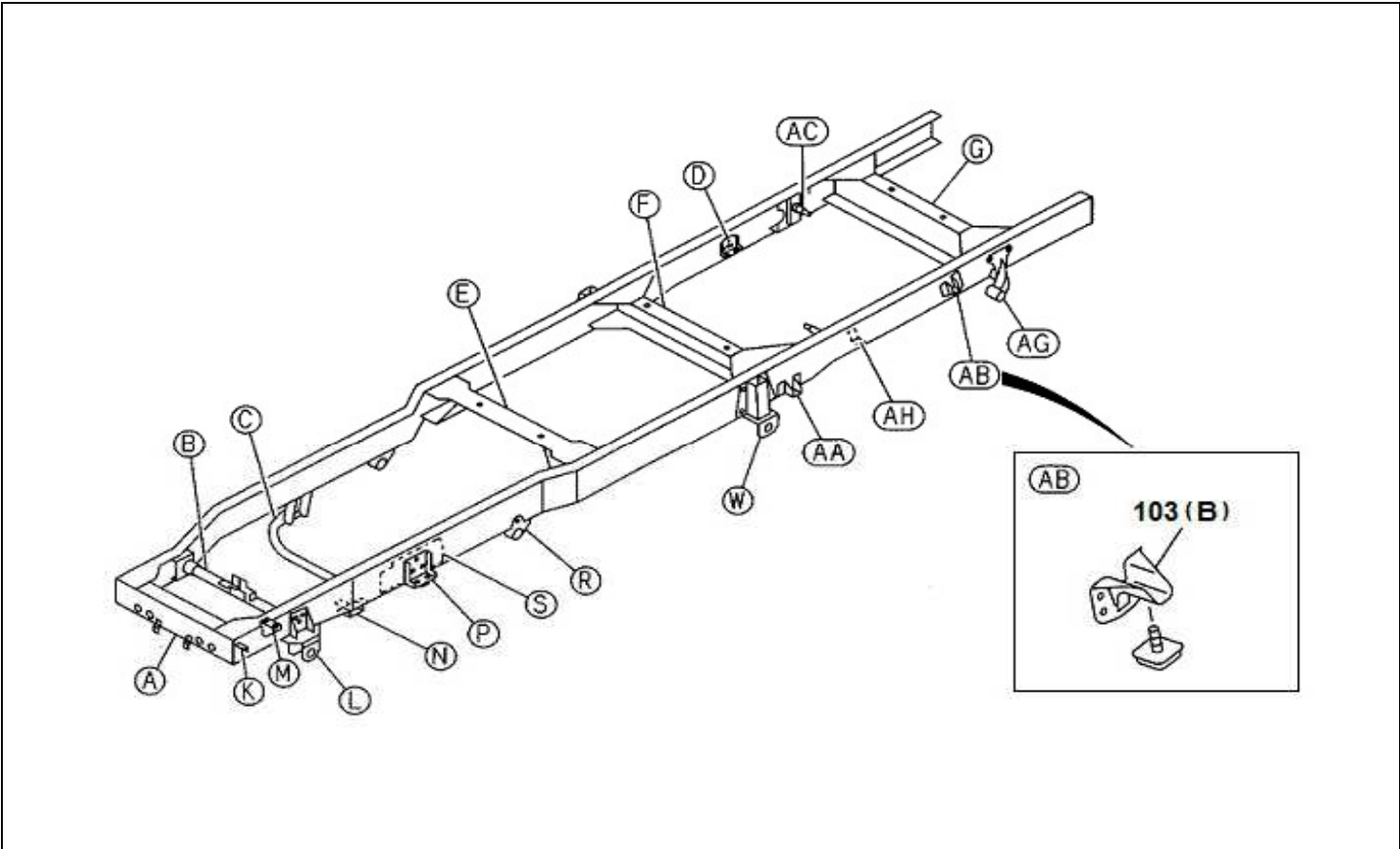


PART INFORMATION

No : 021 / PI / PART / IAMI / IV / 2014
 Tanggal : 04 April 2014
 Perihal : BRACKET STOPPER SUB SPRING IADG

FIG.NO : 5-01 FRAME AND OTHER PARTS



NO	PART NEW	DESCRIPTION	FIG No.	KEY NO.	APPLIED DATE	RETAIL	REMARKS
1	16-97223 750-0	BRACKET STOPPER SUB SPRING	5-01	103(B)	9312-	72.000	NKR58, NKR66, NKR71

Prepared by : Eddy Pramono , 04 April 2014