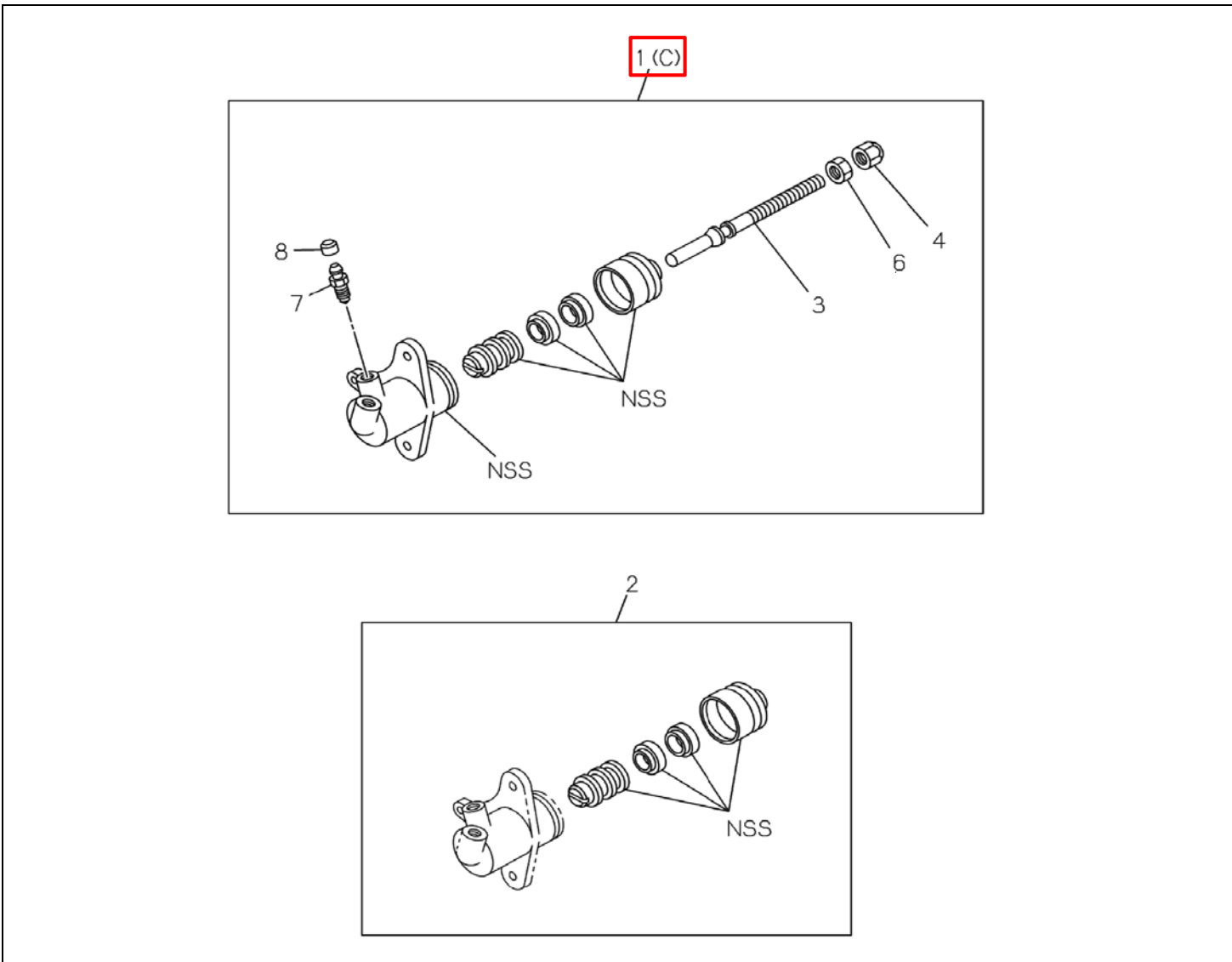


PART INFORMATION

No : FORM/D/16/006/Rev00
 Reff No : 021/PI/PART/IAMI/XI/21
 Tanggal : 15 November 2021
 Perihal : CYLINDER SLAVE CLUTCH, NLR55 IADG

FIG NO : 2-06 CLUTCH SLAVE CYLINDER



NO	PART NUMBER	ITC	DESCRIPTION	FIG No.	KEY NO.	APPLIED DATE	REMARKS
1	16-98041 292-0		CYLINDER; SLAVE, CLU	206	1	1512-	(C) NLR55