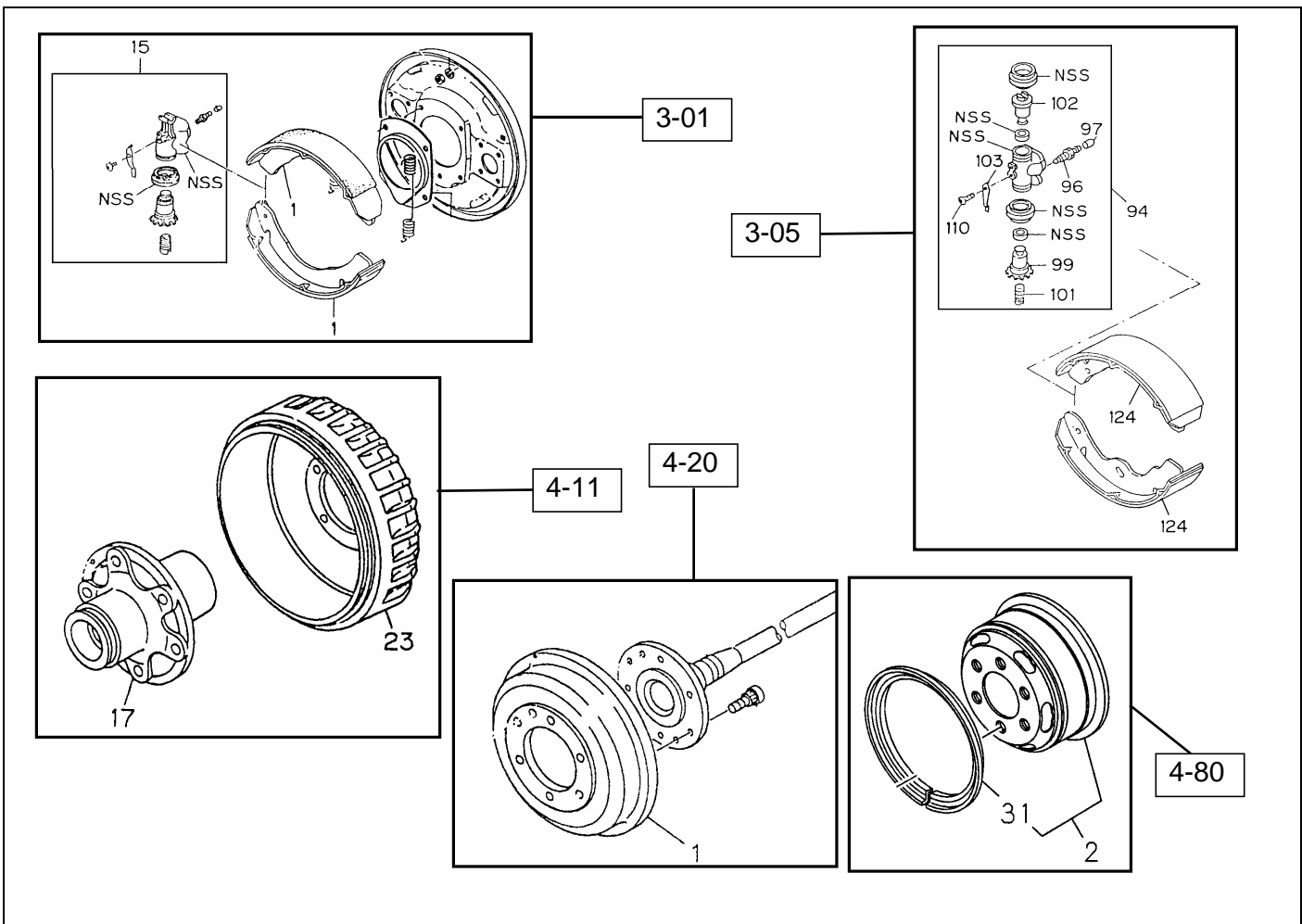


# PART INFORMATION

No : 021/ PI / PART / IAMI / VI / 2012  
Tanggal : 22 Juni 2012  
Perihal : ITEMS NKR55-6T

**FIG.NO : 3-01; 3-05; 4-11; 4-20; 4-80**



NO	PART NUMBER	DESCRIPTION	FIG NO	KEY NO	APPLIED DATE	RETAIL	REMARKS
1	8-97170 950-0	CYLINDER ; WHEEL FRT BRK	3-01	15	1011-	720.000	(LH) FRONT (NKR55-6T E2)
2	8-97170 951-0	CYLINDER ; WHEEL FRT BRK	3-01	15	1011-	720.000	(RH) FRONT (NKR55-6T E2)
3	8-97170 952-0	CYLINDER ; WHEEL FRT BRK	3-01	15	1011-	720.000	(LH) REAR (NKR55-6T E2)
4	8-97170 953-0	CYLINDER ; WHEEL FRT BRK	3-01	15	1011-	720.000	(RH) REAR (NKR55-6T E2)
5	8-97287 778-0	SHOE ; BRAKE, FRONT	3-01	1	0702-	540.000	4JB1-TC (NKR55-6T)
6	8-97287 778-0	SHOE ; BRAKE, REAR	3-05	124	0702-	540.000	4JB1-TC (NKR55-6T)

# PART INFORMATION

No : 021/ PI / PART / IAMI / VI / 2012

Tanggal : 22 Juni 2012

Perihal : ITEMS NKR55-6T

7	8-97179 350-0	CYLINDER ; WHEEL,RR BRK	3-05	94	1011-	690.000	(A) FRONT RH (NKR66-6T E2)
8	8-97179 351-0	CYLINDER ; WHEEL,RR BRK	3-05	94	1011-	690.000	(A) REAR RH (NKR66-6T E2)
9	8-97179 352-0	CYLINDER ; WHEEL,RR BRK	3-05	94	1011-	760.000	(A) FRONT LH (NKR66-6T E2)
10	7-81207 210-A	HUB;FRT AXLE,DRUM	4-11	17	1011-	380.000	NKR55L-T (6T) EURO 2 GOLD
11	8-94365 459-A	HUB;FRT AXLE,DRUM	4-11	17	1011-	445.000	NKR55L-T (6T) EURO 2 GOLD
12	7-83000 200-A	BRAKE DRUM FRT	4-11	23	1011-	#N/A	4JB1-TC (NKR55-6T)
13	7-84000 200-A	BRAKE DRUM;REAR	4-20	1	0702-	#N/A	4JB1-TC (NKR55-6T)
14	7-89000 200-A	DISC WHEEL & RING SIDE	4-80	2	0702-	1.025.000	4JB1-TC (NKR55-6T)

Prepared by : Eddy Pramono , 22 Juni 2012

Note: (#N/A) Harga jual menyusul.