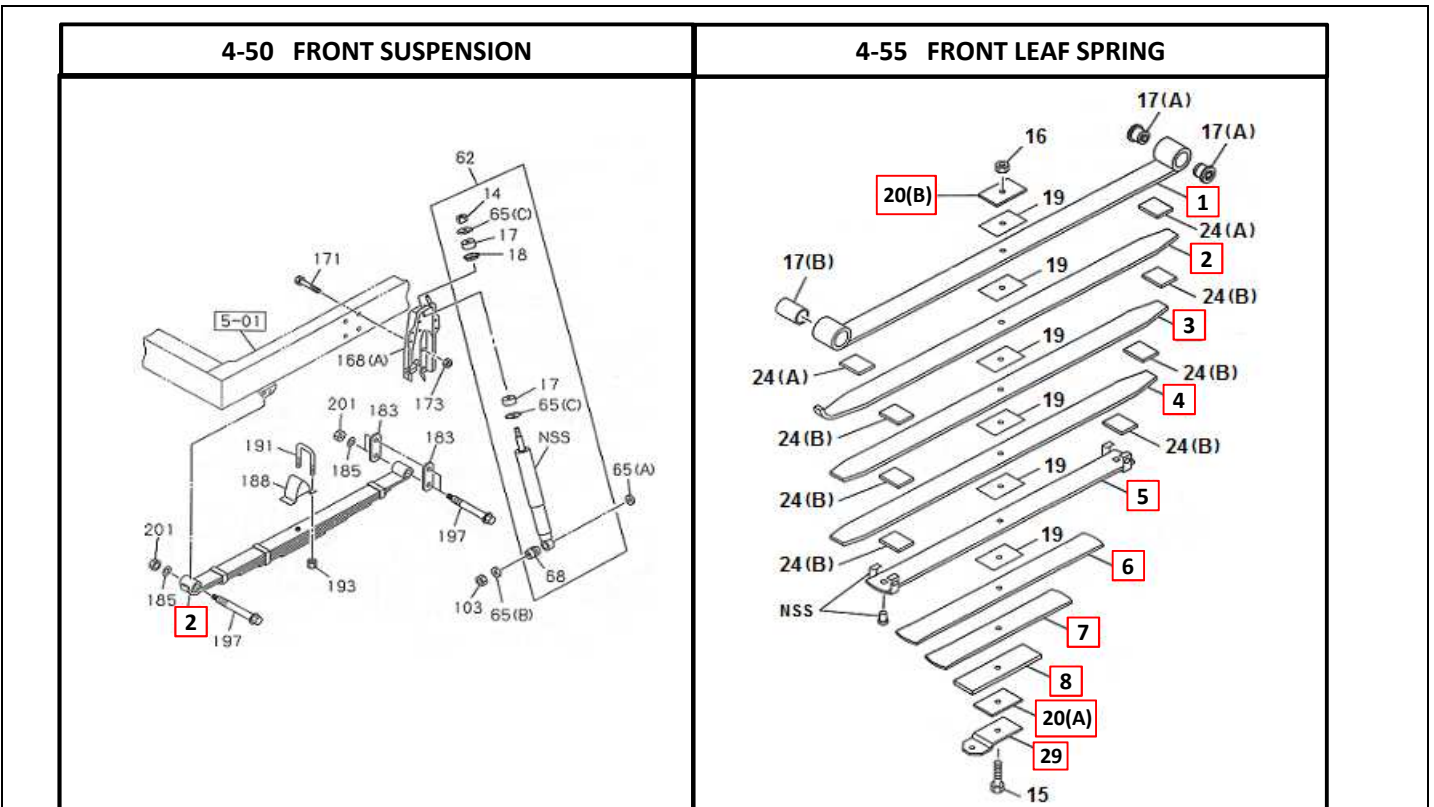


# PART INFORMATION

No : 021 / PI / PART / IAMI / III / 15  
Tanggal : 4 Maret 2015  
Perihal : LEAF SPRING FRONT, NQR, IADG

FIG.NO : 4-50 FRONT SUSPENSION  
FIG.NO : 4-55 FRONT LEAF SPRING



NO	PART NEW	DESCRIPTION	FIG No.	KEY NO.	APPLIED DATE	RETAIL	REMARKS
1	I6-98190 542-0	SPRING ASM FRT,NQR	4-50	2	1208-	Rp1.750.000	4HG1-T
2	I6-98041 368-0	SEAT SPR FRT,NQR	4-55	20B	1208-	Rp18.500	4HG1-T
3	I6-98193 107-0	SPRING NO.1 FRT,NQR	4-55	1	1208-	Rp460.000	4HG1-T
4	I6-98193 108-0	SPRING NO.2 FRT,NQR	4-55	2	1208-	Rp320.000	4HG1-T
5	I6-98193 113-0	SPRING NO.3 FRT,NQR (Tambahan)	4-55	3	1208-	Rp305.000	4HG1-T
6	I6-98193 114-0	SPRING NO.4 FRT,NQR (Tambahan)	4-55	5	1208-	Rp260.000	4HG1-T
7	I6-98193 109-0	SPRING NO.5 FRT,NQR	4-55	4	1208-	Rp245.000	4HG1-T
8	I6-98193 110-0	SPRING NO.6 FRT,NQR	4-55	6	1208-	Rp171.000	4HG1-T
9	I6-98193 111-0	SPRING NO.7 FRT,NQR	4-55	7	1208-	Rp107.000	4HG1-T
10	I6-98193 112-0	SPRING NO.8 FRT,NQR	4-55	8	1208-	Rp65.000	4HG1-T
11	I6-98077 684-0	SEAT SPR FRT,NQR	4-55	20A	1208-	Rp21.000	4HG1-T
12	I6-94342 292-0	SUPPORT LEAF SPR FRT,NQR	4-55	29	1208-	Rp34.000	4HG1-T