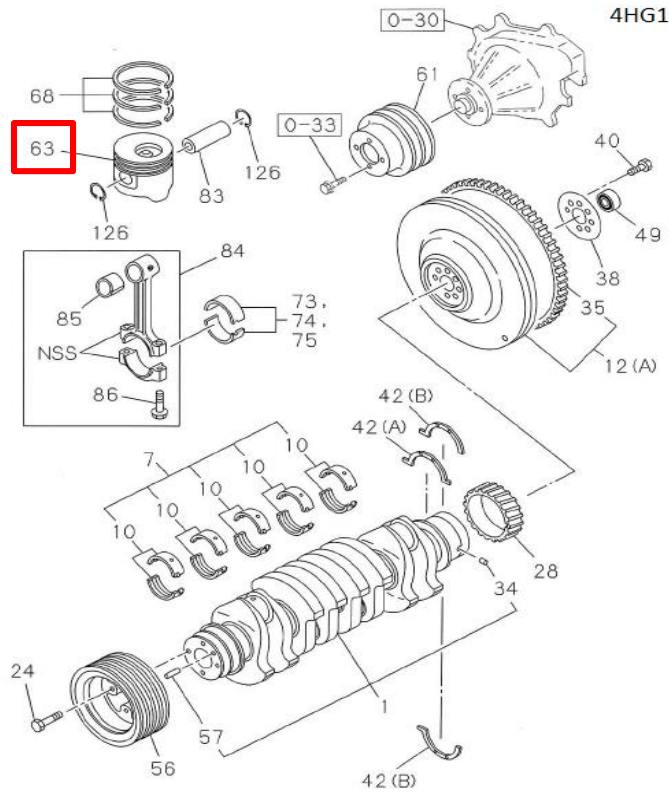


# PART INFORMATION

No : FORM/D/16/006/Rev00  
 Reff No : 021/PI/PART/IAMI/XI/19  
 Tanggal : 05 November 2019  
 Perihal : Piston Standard 4HG1

**FIG NO : 0-15 CRANKSHAFT, PISTON AND FLYWHEEL**



NO	PART NUMBER	ITC	DESCRIPTION	FIG No.	KEY NO.	APPLIED DATE	RETAIL	REMARKS
1	18-98209 745-A		PISTON STANDARD	0-15	063	1512-	Rp600.001	4HG1-T NON GRADE