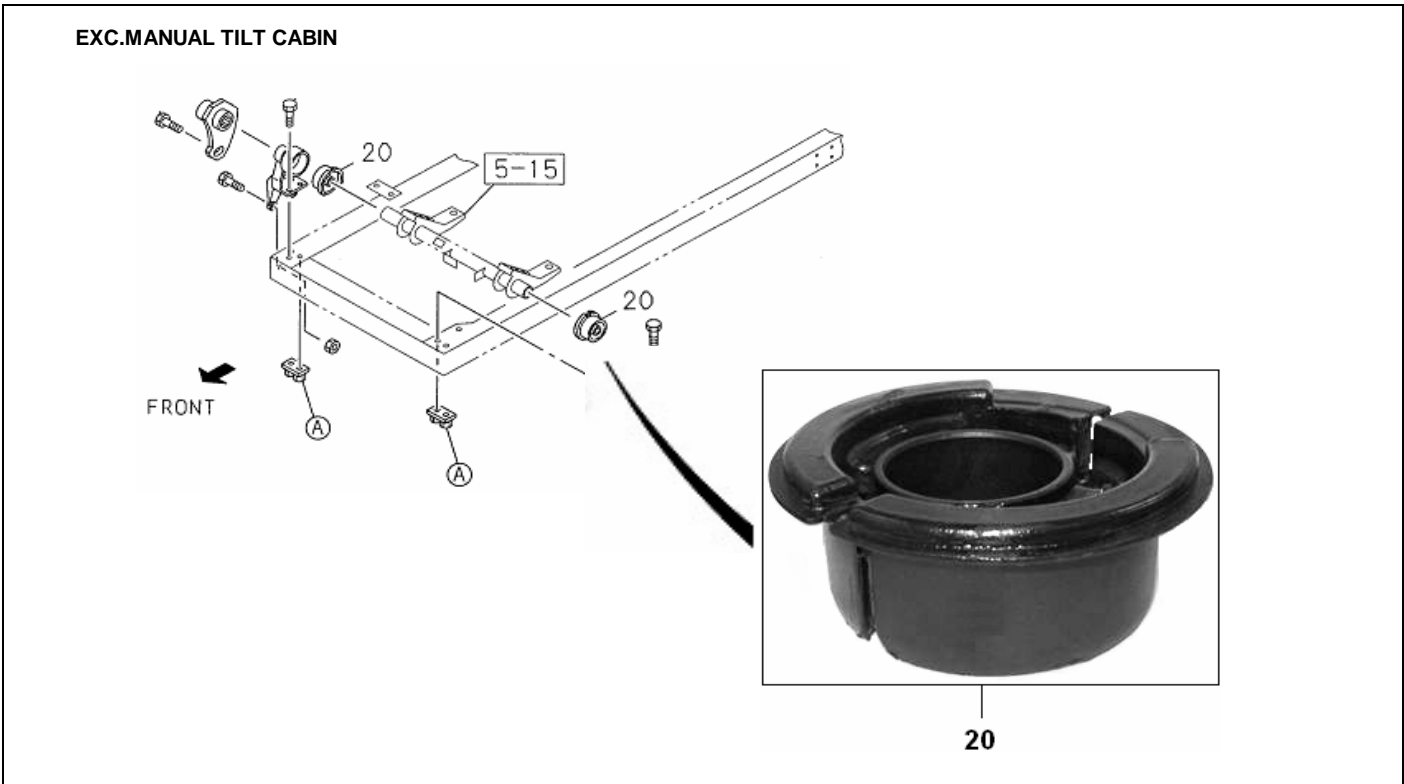


PART INFORMATION

No : 021 / IAMI / PM / PART / IV / 2011
 Tanggal : 27 April 2011
 Perihal : RUBBER; MTG, CAB BRKT

FIG.NO : 5-10 CAB MOUNTING ; FRAME SIDE



NO	PART NUMBER	DESCRIPTION	FIG NO	KEY NO	APPLIED DATE	RETAIL	REMARKS
1	I6-97033 368-0	RUBBER; MTG, CAB BRKT	5-10	20	9312-	52.000	NHR55, NHR55 Euro 2