

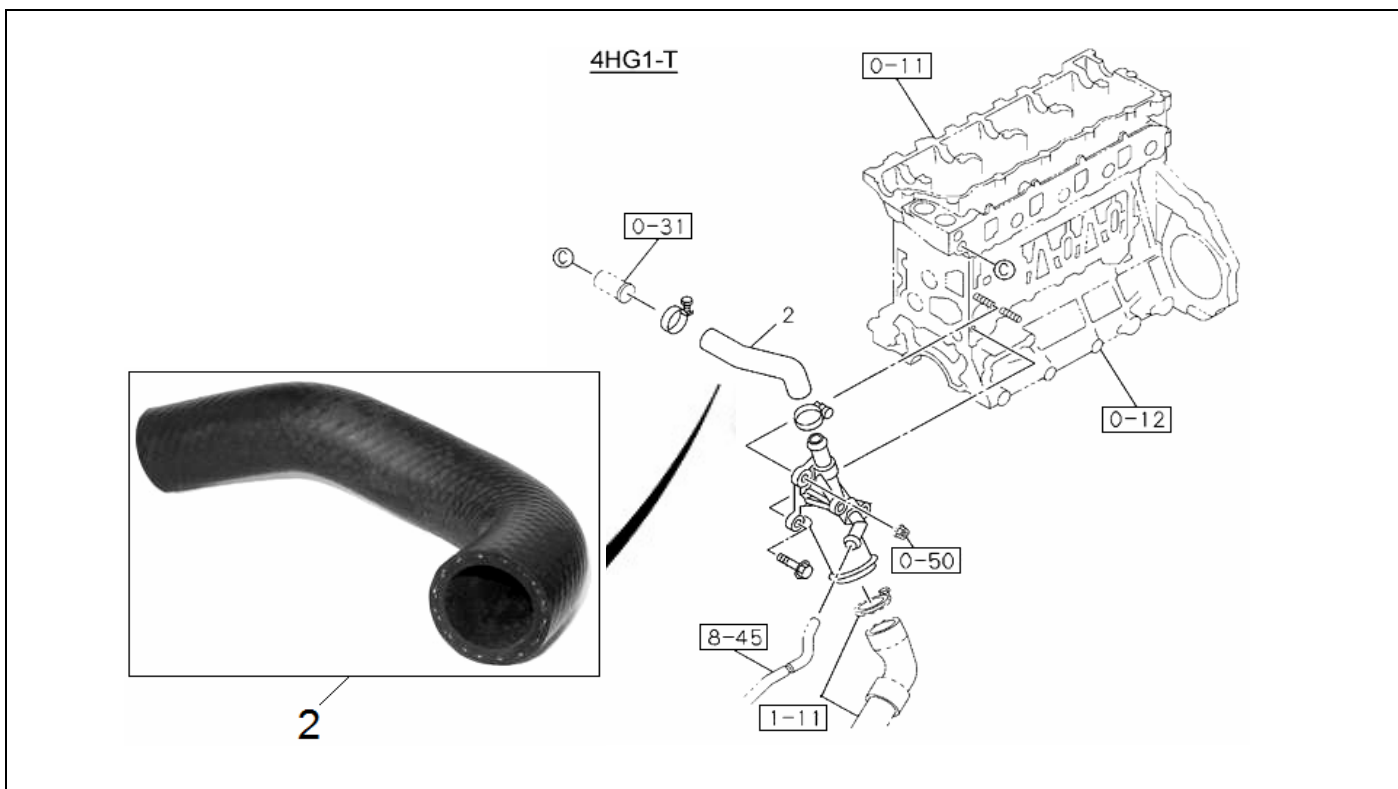
# PART INFORMATION

No : 022 / IAMI / PM / PART / IV / 2011

Tanggal : 27 April 2011

Perihal : HOSE WATER, BY-PASS

**FIG.NO : 0-32 WATER PIPING ; ENGINE**



NO	PART NUMBER	DESCRIPTION	FIG NO	KEY NO	APPLIED DATE	RETAIL	REMARKS
1	16-97209 948-0	HOSE WATER, BY-PASS	0-32	2	9901-	16.500	NKR66, NKR71, NKR71 E2