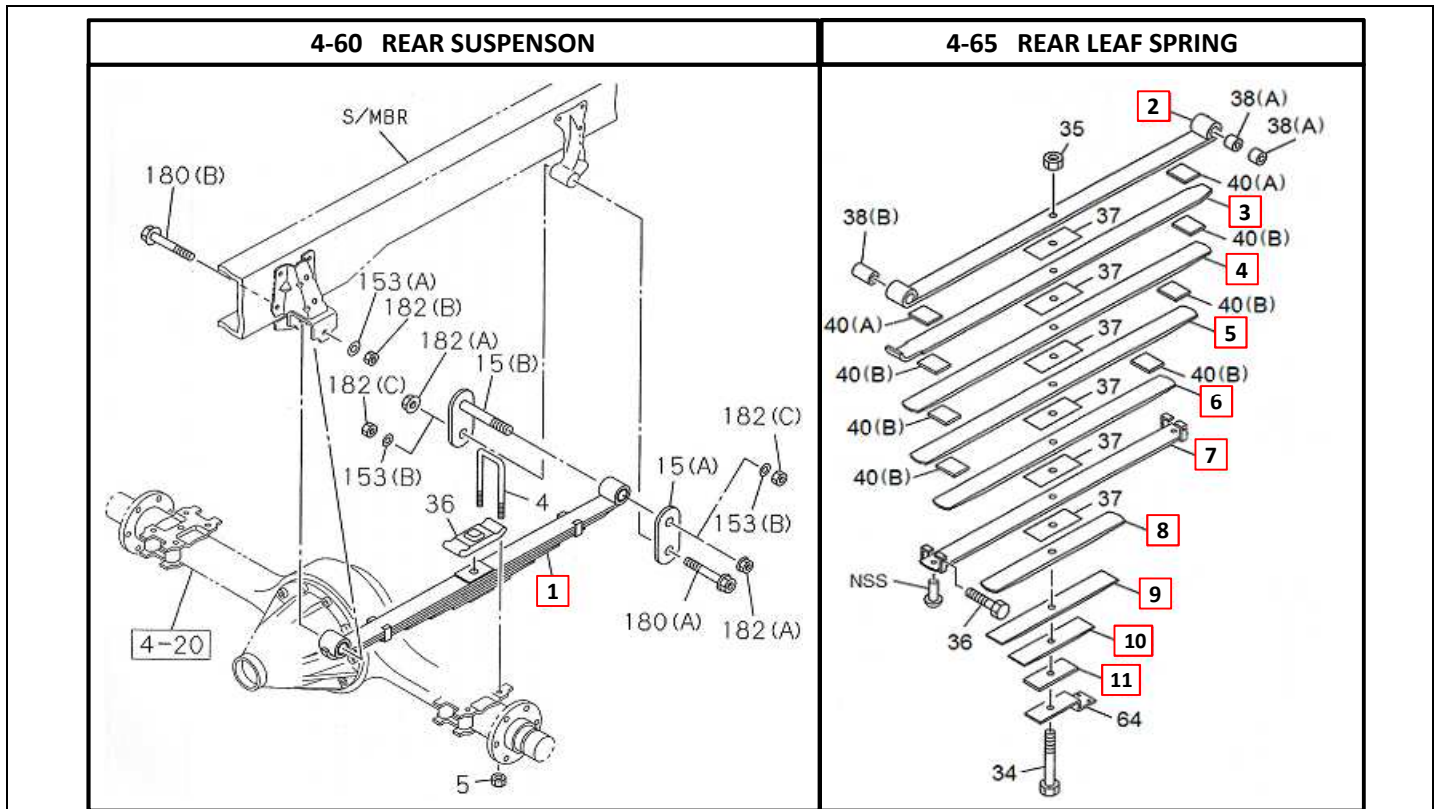


## PART INFORMATION

No : 022 / PI / PART / IAMI / III / 15  
Tanggal : 4 Maret 2015  
Perihal : LEAF SPRING REAR, NQR, IADG

**FIG.NO : 4-60 REAR SUSPENSION**  
**FIG.NO : 4-65 REAR LEAF SPRING**



| NO | PART NEW       | DESCRIPTION                    | FIG No. | KEY NO. | APPLIED DATE | RETAIL      | REMARKS |
|----|----------------|--------------------------------|---------|---------|--------------|-------------|---------|
| 1  | I6-98190 548-0 | SPRING ASM REAR,NQR            | 4-60    | 1       | 1208-        | Rp2.100.000 | 4HG1-T  |
| 2  | I6-98193 157-0 | SPRING NO.1 REAR,NQR           | 4-65    | 2       | 1208-        | Rp470.000   | 4HG1-T  |
| 3  | I6-98193 158-0 | SPRING NO.2 REAR,NQR           | 4-65    | 3       | 1208-        | Rp320.000   | 4HG1-T  |
| 4  | I6-98193 166-0 | SPRING NO.3 REAR,NQR (Tambahn) | 4-65    | 4       | 1208-        | Rp310.000   | 4HG1-T  |
| 5  | I6-98193 159-0 | SPRING NO.4 REAR,NQR           | 4-65    | 5       | 1208-        | Rp295.000   | 4HG1-T  |
| 6  | I6-98193 160-0 | SPRING NO.5 REAR,NQR           | 4-65    | 6       | 1208-        | Rp270.001   | 4HG1-T  |
| 7  | I6-98193 161-0 | SPRING NO.6 REAR,NQR           | 4-65    | 7       | 1208-        | Rp220.000   | 4HG1-T  |
| 8  | I6-98193 162-0 | SPRING NO.7 REAR,NQR           | 4-65    | 8       | 1208-        | Rp158.000   | 4HG1-T  |
| 9  | I6-98193 163-0 | SPRING NO.8 REAR,NQR           | 4-65    | 9       | 1208-        | Rp107.000   | 4HG1-T  |
| 10 | I6-98193 164-0 | SPRING NO.9 REAR,NQR           | 4-65    | 10      | 1208-        | Rp84.000    | 4HG1-T  |
| 11 | I6-98193 165-0 | SPRING NO.10 REAR,NQR          | 4-65    | 11      | 1208-        | Rp55.000    | 4HG1-T  |
| 12 | I6-97225 579-0 | SUPPORT LEAF SPRING RR,NQR     | 4-65    | 64      | 1208-        | Rp54.000    | 4HG1-T  |
|    |                |                                |         |         |              |             |         |
|    |                |                                |         |         |              |             |         |
|    |                |                                |         |         |              |             |         |