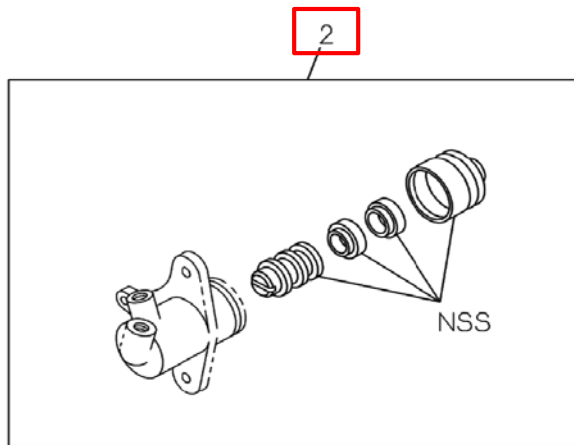
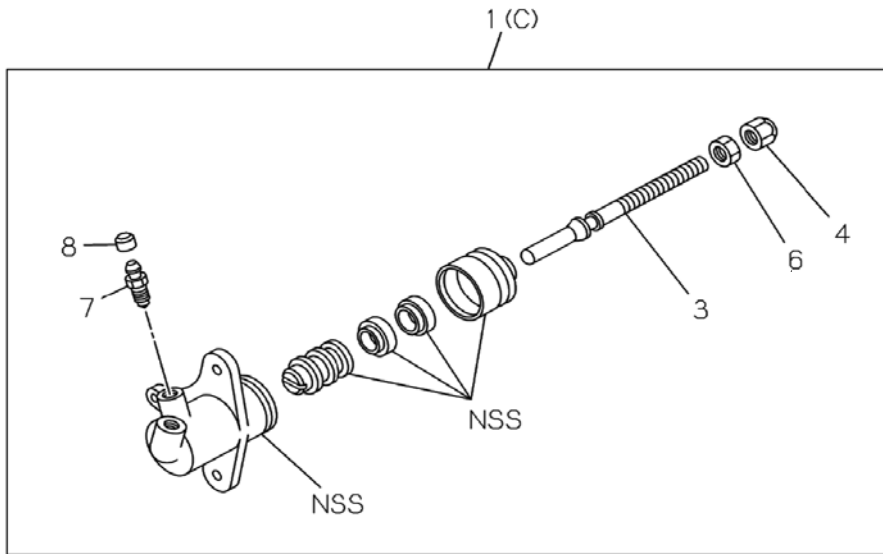


# PART INFORMATION

No : FORM/D/16/006/Rev00  
 Reff No : 022/PI/PART/IAMI/XI/21  
 Tanggal : 16 November 2021  
 Perihal : REPAIR KIT CLUTCH SLAVE CYLINDER, NLR71, NMR71, NMR81 IADG

**FIG NO : 2-06 CLUTCH SLAVE CYLINDER**



NO	PART NUMBER	ITC	DESCRIPTION	FIG No.	KEY NO.	APPLIED DATE	REMARKS
1	I6-87831 204-0		REPAIR KIT; CLU SLAVE CYL	206	2	1512-	NLR71, NMR71, NMR81