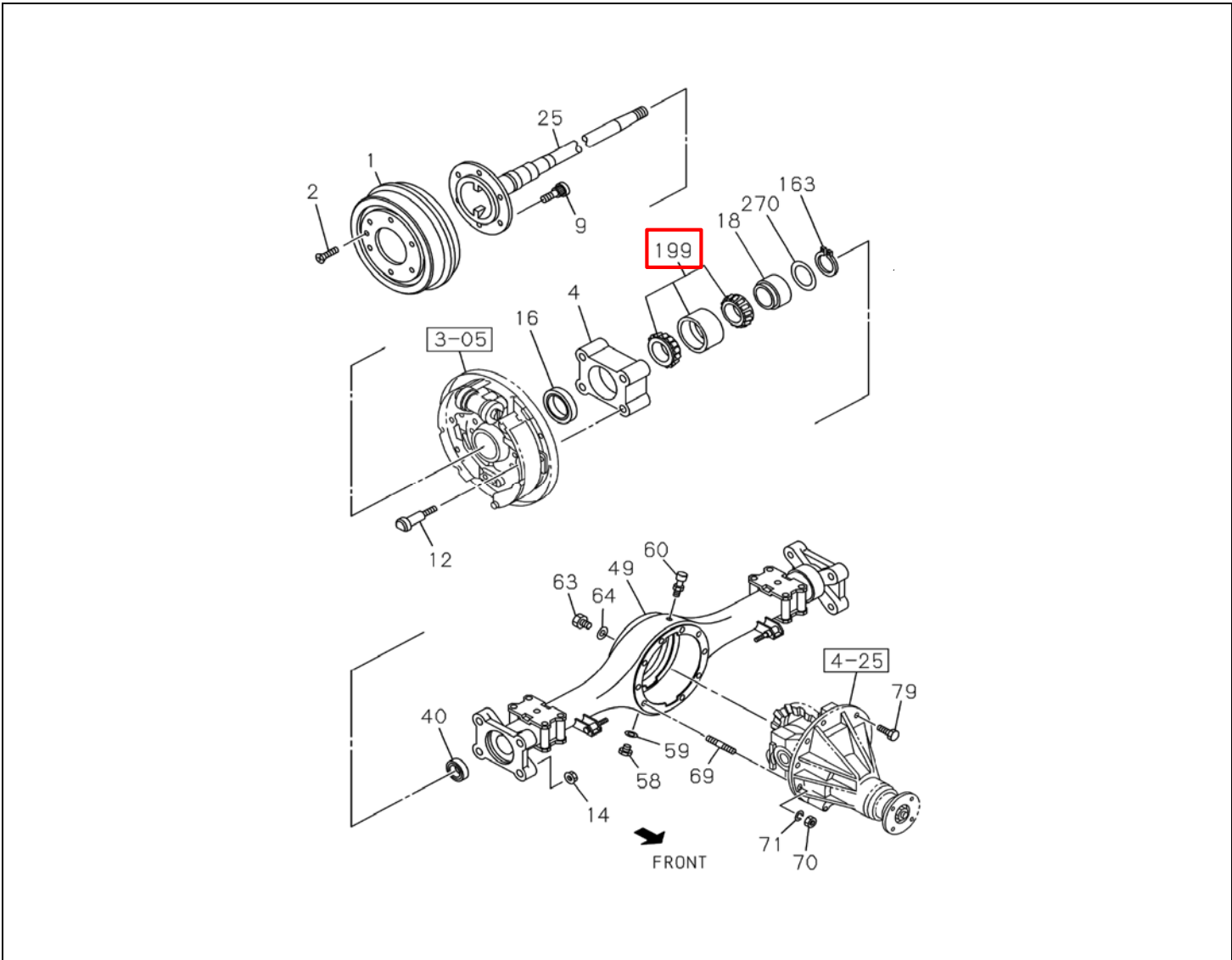


PART INFORMATION

No : FORM/D/16/006/Rev00
 Reff No : 024/PI/PART/IAMI/XI/21
 Tanggal : 16 November 2021
 Perihal : BEARING RR AXLE, TRAGA IADG

FIG NO : 4-20 REAR AXLE CASE AND SHAFT



NO	PART NUMBER	ITC	DESCRIPTION	FIG No.	KEY NO.	APPLIED DATE	REMARKS
1	IL-97216 797-0		BEARING; RR AXLE	420	199	1802-	TRAGA