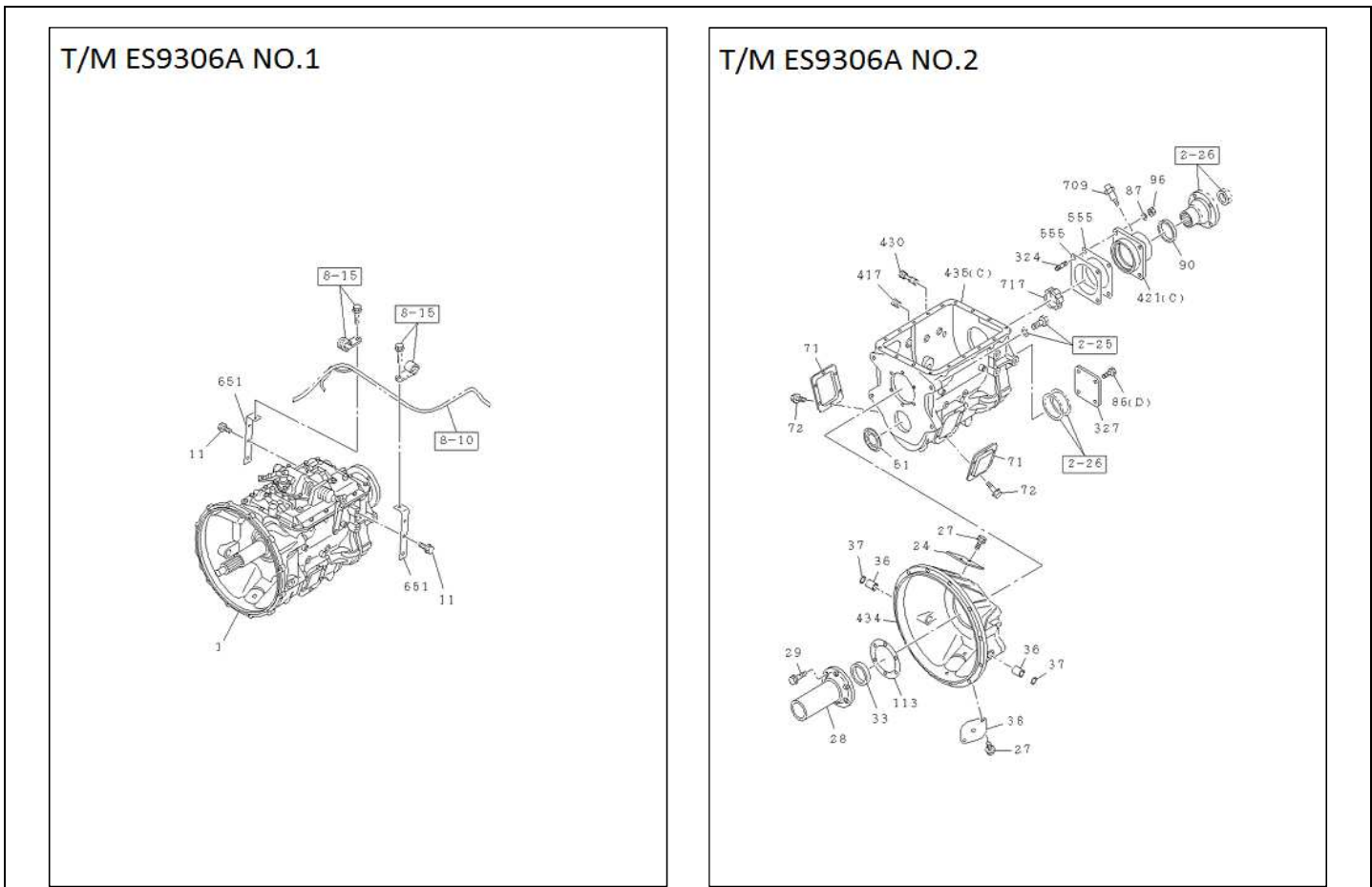


PART INFORMATION

No : FORM/D/16/006/Rev00
 Reff No : 024/PI/PART/IAMI/XI/19
 Tanggal : 12 November 2019
 Perihal : EATON M/T 6 SPEED, FVM VD00

FIG NO : 2-20 MANUAL TRANSMISSION ASM AND CASE



NO	PART NUMBER	ITC	DESCRIPTION	FIG No.	KEY NO.	APPLIED DATE	REMARKS
1	18-98332 768-2		TRANSMISSION ASM; MANUAL	2-20	1	1706-	
2	10-28151 220-0		BOLT; BRKT	2-20	11	1706-	M12X20
3	IE-33057 400-0		COVER; CHECK HOLE,DUST	2-20	24	1706-	
4	IE-87408 000-0		BOLT; COVER TO CLU HSG	2-20	27	1706-	
5	IE-33051 100-0		COVER; FRT,TRANS CASE	2-20	28	1706-	
6	IE-33013 600-0		BOLT; FRT COVER	2-20	29	1706-	
7	IE-33048 800-0		SEAL; OIL,FRT COVER,T/M	2-20	33	1706-	
8	IE-33058 400-0		BEARING; NEEDLE,CLU HSG	2-20	36	1706-	
9	IE-33058 500-0		SEAL; DUST,CLU HSG	2-20	37	1706-	
10	IE-33057 500-0		COVER; CHECK HOLE,LWR	2-20	38	1706-	
11	IE-33156 790-0		COVER; SEAL,COUNTER,FRT	2-20	51	1706-	
12	I1-33141 074-0		COVER; SIDE,TRANS CASE	2-20	71	1706-	
13	IE-33013 200-0		BOLT; SIDE COVER	2-20	72	1706-	
14	IE-33013 300-0		BOLT; RR COVER	2-20	86	1706-	(D)
15	IE-23943 600-0		WASHER; LK,RR COVER	2-20	87	1706-	
16	IE-33048 900-0		SEAL; OIL,RR COVER	2-20	90	1706-	
17	IE-33019 500-0		NUT; RR COVER	2-20	96	1706-	

PART INFORMATION

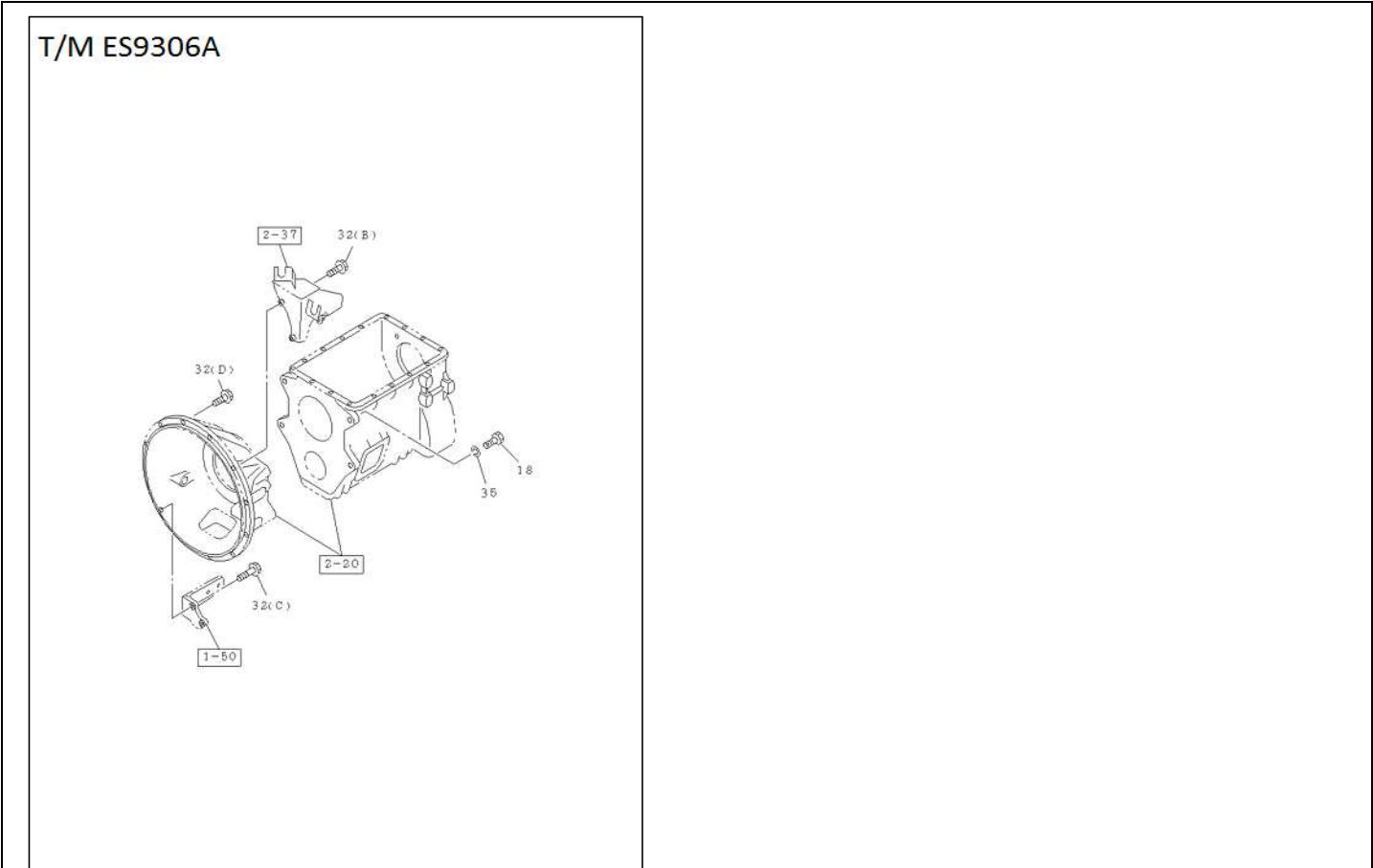
No : FORM/D/16/006/Rev00
 Reff No : 024/PI/PART/IAMI/XI/19
 Tanggal : 12 November 2019
 Perihal : EATON M/T 6 SPEED, FVM VD00

18	IE-33156 590-0	GASKET; FRT COVER TO TRA	2-20	113	1706-	
19	I1-87411 006-0	TUBE; NYLON	2-20	303	1706-	OD=8
20	IE-33013 700-0	STUD; RR COVER	2-20	324	1706-	
21	IE-43016 070-0	COVER; RR,COUNTER	2-20	327	1706-	
22	IE-12120 700-0	PLUG; OIL FILLER,TRANS	2-20	417	1706-	
23	IE-33012 500-0	COVER; RR,TRANS	2-20	421	1706-	(C)
24	IE-22685 800-0	PLUG; OIL DRAIN	2-20	430	1706-	
25	IE-33056 100-0	HOUSING; CLU	2-20	434	1706-	
26	IE-33009 300-0	CASE; TRANS	2-20	435	1706-	(C)
27	IE-33156 620-0	SHIM; RR COVER	2-20	555	1706-	T=0.004
28	IE-33156 630-0	SHIM; RR COVER	2-20	555	1706-	T=0.007
29	IE-33156 640-0	SHIM; RR COVER	2-20	555	1706-	T=0.010
30	IE-33156 650-0	SHIM; RR COVER	2-20	555	1706-	T=0.020
31	IE-43009 780-0	SHIM; RR COVER	2-20	555	1706-	T=0.040
32	I8-98335 078-0	BRACKET; T/M HARNESS	2-20	651	1706-	
33	I8-98349 517-0	SENSOR; SPEED,M/T	2-20	709	1706-	
34	IE-55015 480-0	ROTOR	2-20	717	1706-	

PART INFORMATION

No : FORM/D/16/006/Rev00
 Reff No : 024/PI/PART/IAMI/XI/19
 Tanggal : 12 November 2019
 Perihal : EATON M/T 6 SPEED, FVM VD00

FIG NO : 2-25 SPEEDOMETER DRIVEN GEAR



NO	PART NUMBER	ITC	DESCRIPTION	FIG No.	KEY NO.	APPLIED DATE	REMARKS
1	IE-33054 800-0		BOLT; CLU HSG TO TRANS	2-25	18	1706-	
2	IO-28051 045-0		BOLT; CLU HSG TO FLYWHEEL	2-25	32	1706-	(B) M10X45
3	IO-28751 030-0		BOLT; CLU HSG TO FLYWHEEL	2-25	32	1706-	(C) M10X30
4	IO-28051 035-0		BOLT; CLU HSG TO FLYWHEEL	2-25	32	1706-	(D) M10X35
5	IE-31000 000-0		WASHER; LK, CLU HSG TO TRA	2-25	35	1706-	

PART INFORMATION

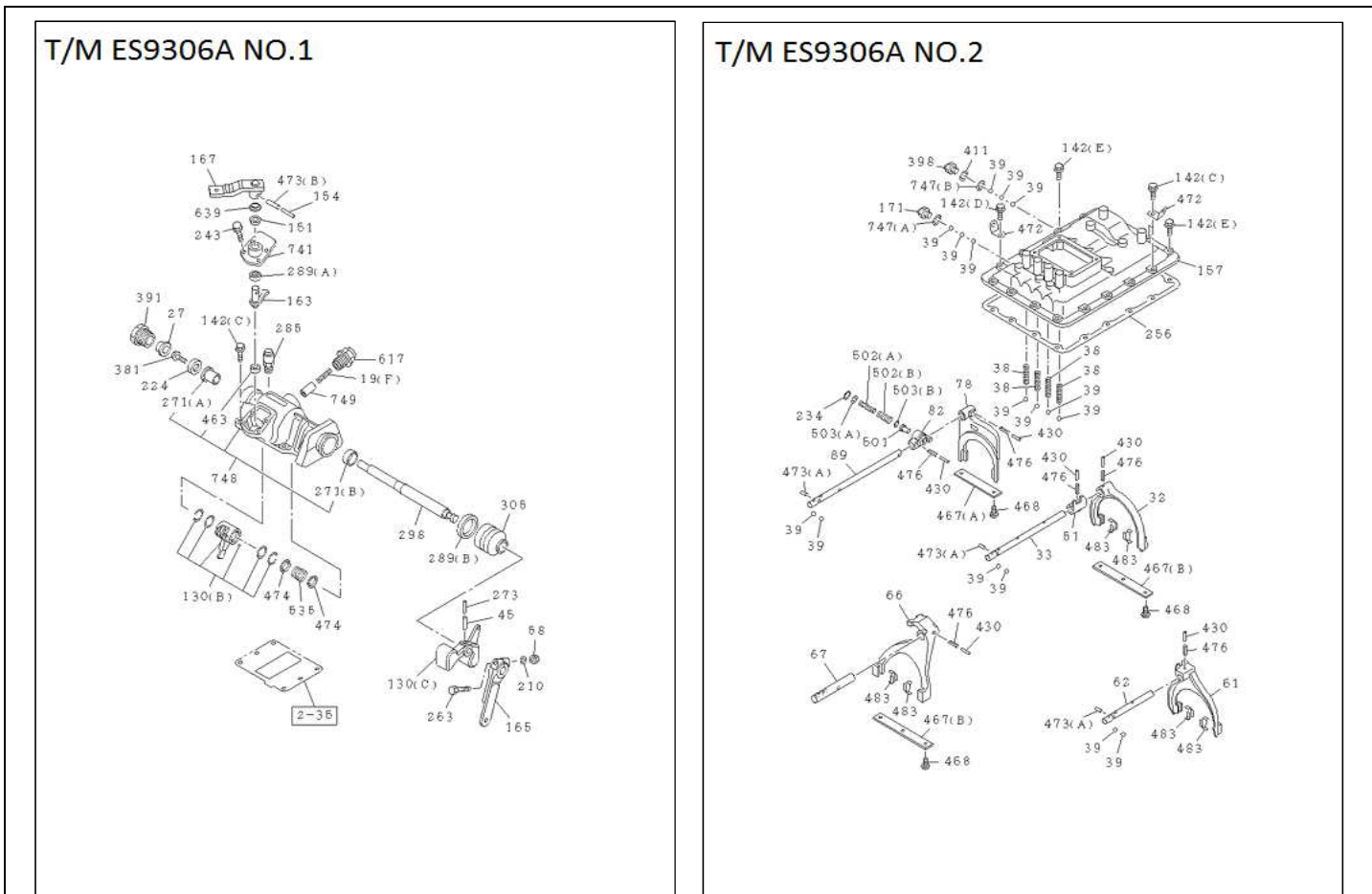
No : FORM/D/16/006/Rev00
 Reff No : 024/PI/PART/IAMI/XI/19
 Tanggal : 12 November 2019
 Perihal : EATON M/T 6 SPEED, FVM VD00

29	IE-43080 330-0	CUP; SYN	2-26	280	1706-	(B)
30	IE-86190 000-0	SYNCHRONIZER; 5TH & 6TH	2-26	282	1706-	
31	IE-33156 870-0	WASHER; COUNTER SHAFT	2-26	284	1706-	
32	IE-33039 100-0	NUT; LK,MAINSHAFT	2-26	286	1706-	
33	IE-33157 270-0	WASHER; THRUST	2-26	296	1706-	(A)
34	IE-33157 190-0	WASHER; THRUST	2-26	296	1706-	(B)
35	IE-43043 720-0	WASHER; THRUST	2-26	296	1706-	(C)
36	IE-33157 280-0	RING; SNAP,MAINSHAFT	2-26	306	1706-	(C)
37	IE-33157 250-0	RING; SNAP,MAINSHAFT	2-26	306	1706-	(D)
38	IE-33157 170-0	RING; SNAP,MAINSHAFT	2-26	306	1706-	(E)
39	IE-33157 030-0	BEARING; NEEDLE,LOW GEAR	2-26	313	1706-	
40	IE-33049 400-0	BEARING; NEEDLE,REV GEAR	2-26	314	1706-	
41	IE-43045 500-0	CLUTCH; SLIDING	2-26	319	1706-	
42	IE-33029 600-0	HUB; CLU,4TH & 3RD	2-26	320	1706-	
43	IE-33156 810-0	SHIM; COUNTER SHAFT BRG	2-26	325	1706-	T=0.004
44	IE-33156 820-0	SHIM; COUNTER SHAFT BRG	2-26	325	1706-	T=0.007
45	IE-33156 830-0	SHIM; COUNTER SHAFT BRG	2-26	325	1706-	T=0.010
46	IE-33156 840-0	SHIM; COUNTER SHAFT BRG	2-26	325	1706-	T=0.020
47	IE-43009 770-0	SHIM; COUNTER SHAFT BRG	2-26	325	1706-	T=0.040
48	IE-33057 200-0	FLANGE; OUTPUT	2-26	342	1706-	
49	IE-55570 020-0	BEARING; MAINSHAFT END	2-26	393	1706-	
50	IE-41240 750-0	BEARING; NEEDLE,4TH	2-26	432	1706-	
51	IE-79340 000-0	SYNCHRONIZER ASM; 1ST & 2	2-26	448	1706-	
52	IE-86180 000-0	SYNCHRONIZER ASM; 3RD & 4	2-26	449	1706-	
53	IE-33027 100-0	HUB; CLU,5TH & 6TH	2-26	468	1706-	
54	IE-55575 020-0	CUP; BEARING,MAIN SHAFT	2-26	469	1706-	
55	IE-55575 060-0	CUP; BEARING,COUNTER SHA	2-26	470	1706-	(A)
56	IE-55565 100-0	CUP; BEARING,COUNTER SHA	2-26	470	1706-	(B)
57	IE-33056 900-0	SHAFT; INPUT	2-26	471	1706-	
58	IE-55575 020-0	CUP; BEARING,INPUT SHAFT	2-26	472	1706-	
59	IE-55565 090-0	BEARING; INPUT SHAFT	2-26	473	1706-	

PART INFORMATION

No : FORM/D/16/006/Rev00
 Reff No : 024/PI/PART/IAMI/XI/19
 Tanggal : 12 November 2019
 Perihal : EATON M/T 6 SPEED, FVM VD00

FIG NO : 2-30 GEAR SHIFTER AND QUADRANT BOX



NO	PART NUMBER	ITC	DESCRIPTION	FIG No.	KEY NO.	APPLIED DATE	REMARKS
1	IE-33060 700-0		SPRING; COIL COMP	2-30	19	1706-	(F)
2	IE-30036 880-0		BUSHING; SHIFT ROD	2-30	27	1706-	
3	IE-33157 720-0		ARM; SHIFT,1ST & 2ND	2-30	32	1706-	
4	IE-43045 610-0		ROD; SHIFT,LOW & 2ND	2-30	33	1706-	
5	IE-43050 280-0		SPRING; DETENT	2-30	38	1706-	
6	IE-10714 000-0		BALL; DETENT	2-30	39	1706-	
7	IE-30036 320-0		PIN; SPRING,SHIFT LEVER	2-30	45	1706-	
8	IE-33051 800-0		BLOCK; SHIFT,1ST & 2ND	2-30	51	1706-	
9	I1-33119 571-0		NUT	2-30	58	1706-	
10	IE-61390 000-0		ARM; SHIFT,3RD & 4TH	2-30	61	1706-	
11	IE-43014 710-0		ROD; SHIFT,3RD & 4TH	2-30	62	1706-	
12	IE-61380 000-0		ARM; SHIFT,5TH & 6TH	2-30	66	1706-	
13	IE-43014 720-0		ROD; SHIFT,5TH & 6TH	2-30	67	1706-	
14	IE-33158 970-0		ARM; SHIFT,REV	2-30	78	1706-	
15	IE-33163 000-0		BLOCK; SHIFT,REV	2-30	82	1706-	
16	IE-43026 360-0		ROD; SHIFT,REV	2-30	89	1706-	
17	IE-10107 000-0		LEVER; SHIFT,INTERNAL	2-30	130	1706-	(B)

PART INFORMATION

No : FORM/D/16/006/Rev00
 Reff No : 024/PI/PART/IAMI/XI/19
 Tanggal : 12 November 2019
 Perihal : EATON M/T 6 SPEED, FVM VD00

18	IE-30037 150-0	LEVER; SHIFT,INTERNAL	2-30	130	1706-	(C)
19	IE-33013 300-0	BOLT; QUAD BOX	2-30	142	1706-	(C)
20	IE-33019 400-0	BOLT; QUAD BOX	2-30	142	1706-	(D)
21	IE-33013 500-0	BOLT; QUAD BOX	2-30	142	1706-	(E)
22	IE-33620 680-0	BUSHING; SELECT LEVER	2-30	151	1706-	
23	IE-13528 000-0	PIN; SELECT LEVER	2-30	154	1706-	
24	IE-30022 930-0	BOX; QUAD,TRANS	2-30	157	1706-	
25	IE-33058 800-0	LEVER; SELECT,INTERNAL	2-30	163	1706-	
26	IE-33056 600-0	LEVER; SHIFT	2-30	165	1706-	
27	IE-33057 800-0	LEVER; SELECT,EXTERNAL	2-30	167	1706-	
28	IE-43048 090-0	SWITCH; NEUTRAL	2-30	171	1706-	
29	I1-33119 568-0	WASHER; SHIFT LEVER	2-30	210	1706-	
30	IE-30036 860-0	WASHER; PL,QUAD BOX	2-30	224	1706-	
31	IE-21736 000-0	RING; SNAP	2-30	234	1706-	
32	IE-33620 720-0	BOLT; COVER	2-30	243	1706-	
33	IE-43008 540-0	GASKET; QUAD BOX TO TRAN	2-30	256	1706-	
34	IE-81007 000-0	BOLT; LEVER	2-30	263	1706-	
35	IE-30036 840-0	BUSHING; QUAD BOX	2-30	271	1706-	(A)
36	IE-30036 830-0	BUSHING; QUAD BOX	2-30	271	1706-	(B)
37	IE-30036 330-0	PIN; SPR,STOPPER	2-30	273	1706-	
38	IE-33159 480-0	BREATHER; AIR,QUAD BOX	2-30	285	1706-	
39	IE-33620 690-0	SEAL; OIL,CONT SHAFT,QUAD	2-30	289	1706-	(A)
40	I1-33542 061-0	SEAL; OIL,CONT SHAFT,QUAD	2-30	289	1706-	(B)
41	IE-33064 800-0	SHAFT; SHIFT LEVER	2-30	298	1706-	
42	I1-33549 233-0	BOOT; LEVER SHAFT	2-30	305	1706-	
43	IE-33611 190-0	BOLT	2-30	381	1706-	
44	IE-30036 870-0	PLUG; SW HOLE	2-30	391	1706-	
45	IE-43048 080-0	SWITCH; REV LAMP	2-30	398	1706-	
46	IE-15900 000-0	GASKET; REV LAMP SW	2-30	411	1706-	
47	IE-13528 000-0	PIN; SPR,SHIFT ROD	2-30	430	1706-	
48	IE-33620 750-0	BUSHING; PINION,QUAD BOX	2-30	463	1706-	
49	IE-33157 570-0	RETAINER; SHIFT ROD	2-30	467	1706-	(A)
50	IE-43012 790-0	RETAINER; SHIFT ROD	2-30	467	1706-	(B)
51	IE-23304 300-0	SCREW; CAP,RET	2-30	468	1706-	
52	IE-33013 800-0	EYE; LIFTING	2-30	472	1706-	
53	IE-20104 400-0	PIN; ROLL	2-30	473	1706-	(A)
54	IE-16028 000-0	PIN; ROLL	2-30	473	1706-	(B)
55	IE-30039 060-0	WASHER; SPRING STOPPER	2-30	474	1706-	
56	IE-16028 000-0	PIN; SHIFT ROD	2-30	476	1706-	
57	IE-22767 500-0	BUSHING; SHIFT ARM	2-30	483	1706-	
58	IE-33162 960-0	PLUNGER; SHIFT BLOCK	2-30	501	1706-	
59	IE-43050 370-0	SPRING; PLUNGER	2-30	502	1706-	(A)
60	IE-22834 000-0	SPRING; PLUNGER	2-30	502	1706-	(B)
61	IE-33162 950-0	WASHER; PLUNGER	2-30	503	1706-	(A)
62	IE-33162 980-0	WASHER; PLUNGER	2-30	503	1706-	(B)
63	IE-30039 010-0	SPRING; LEVER	2-30	535	1706-	
64	IE-33060 600-0	PLUG	2-30	617	1706-	
65	IE-33059 000-0	CAP	2-30	639	1706-	
66	IE-33058 900-0	COVER; QUAD BOX	2-30	741	1706-	
67	IE-43017 180-0	RETAINER	2-30	747	1706-	(A)
68	IE-43017 190-0	RETAINER	2-30	747	1706-	(B)
69	IE-10098 000-0	BOX SUB ASM; QUADRANT	2-30	748	1706-	
70	IE-33060 800-0	ACTUATOR	2-30	749	1706-	