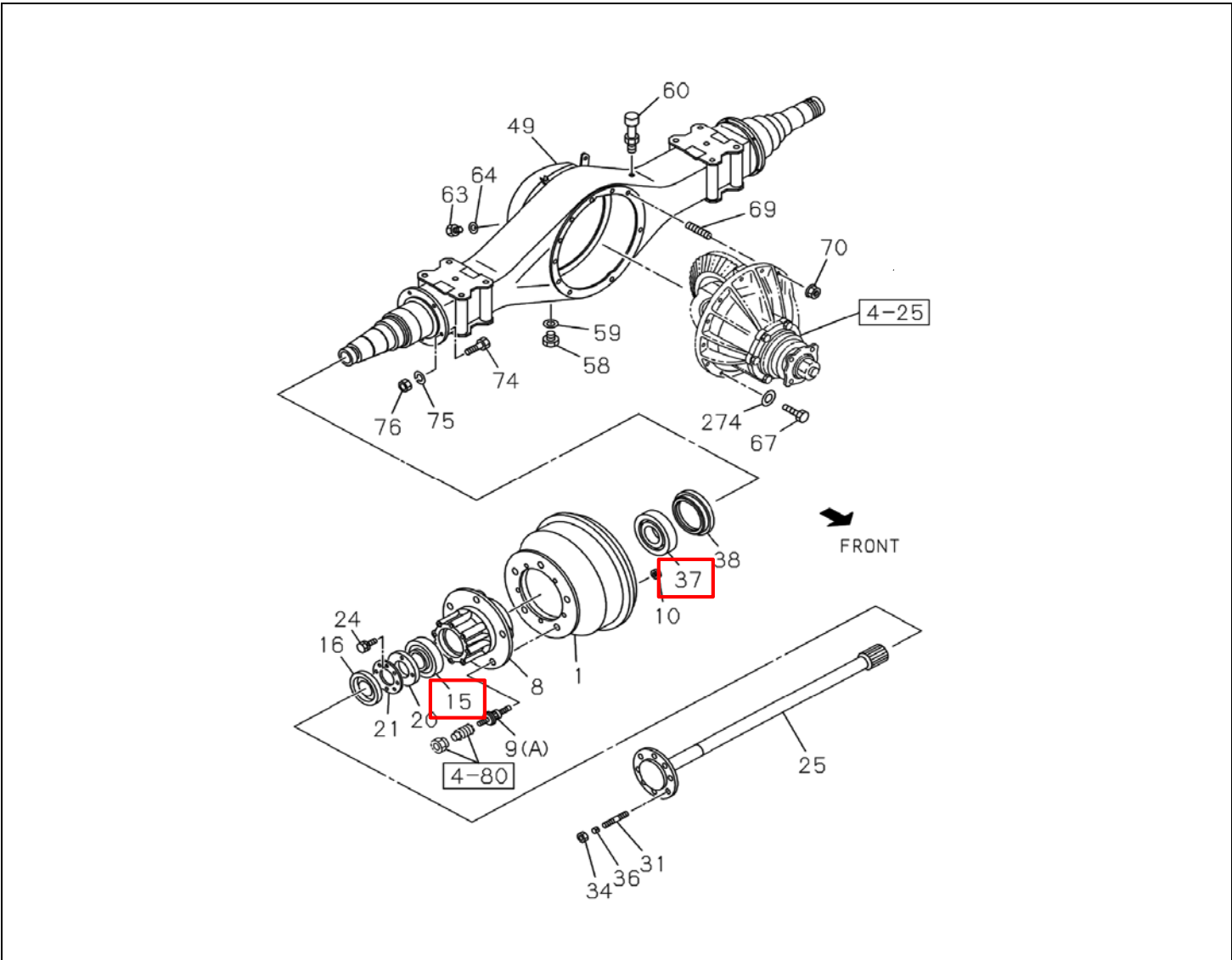


PART INFORMATION

No : FORM/D/16/006/Rev00
 Reff No : 025/PI/PART/IAMI/XI/21
 Tanggal : 16 November 2021
 Perihal : BEARING HUB OUTER & INNER, RR AXLE NMR IADG

FIG NO : 4-20 REAR AXLE CASE AND SHAFT



NO	PART NUMBER	ITC	DESCRIPTION	FIG No.	KEY NO.	APPLIED DATE	REMARKS
1	IL-00093 609-0		BEARING; HUB OUTER, RR AXLE	420	15	1512-	NMR71; NMR81
2	IL-00093 624-0		BEARING; HUB INNER, RR AXLE	420	37	1512-	NMR71; Only For RR AXLE HD 320MM