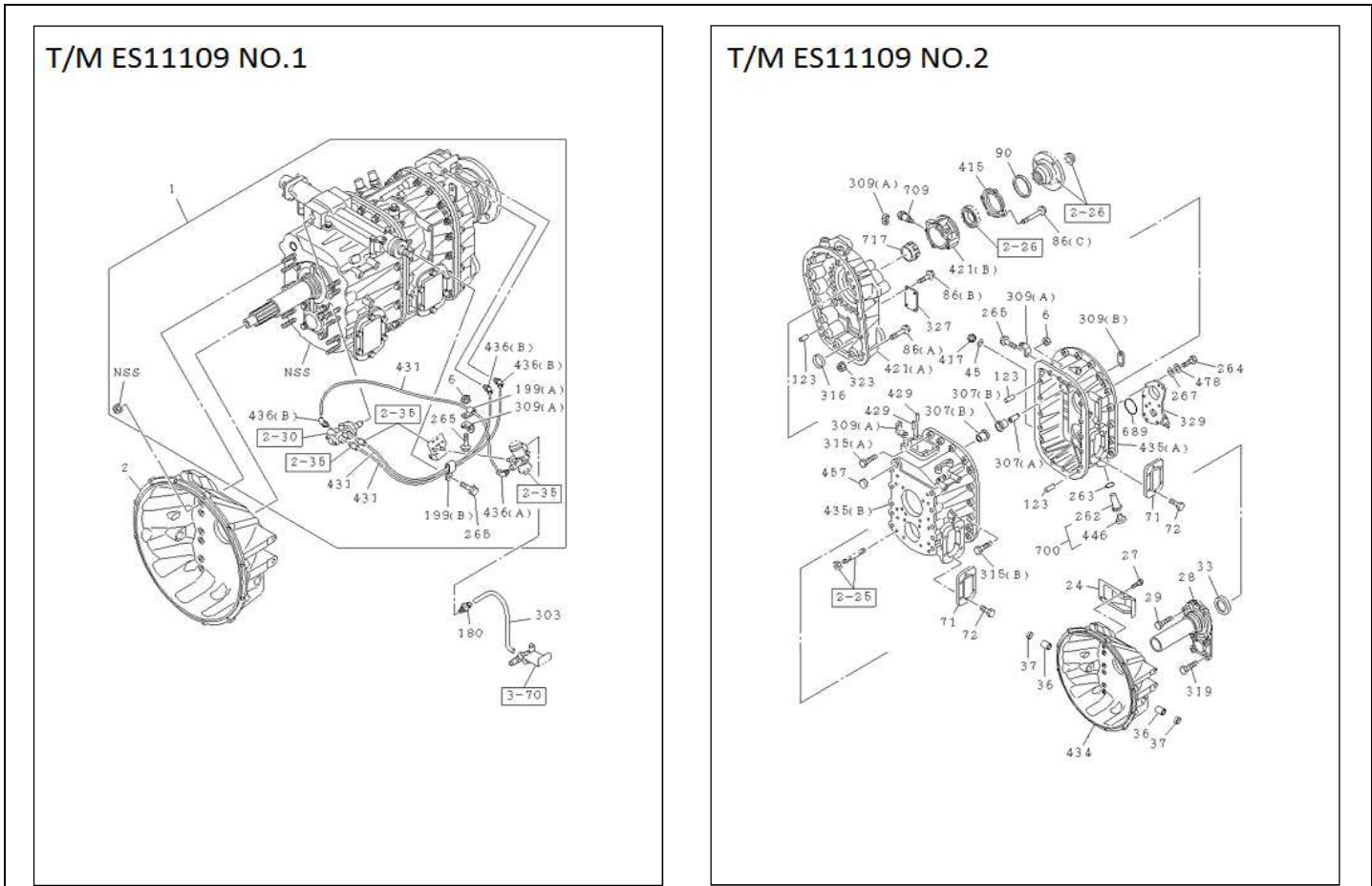


PART INFORMATION

No : FORM/D/16/006/Rev00
 Reff No : 025/PI/PART/IAMI/XI/19
 Tanggal : 12 November 2019
 Perihal : EATON M/T 9 SPEED, FVM VD00

FIG NO : 2-20 MANUAL TRANSMISSION ASM AND CASE



NO	PART NUMBER	ITC	DESCRIPTION	FIG No.	KEY NO.	APPLIED DATE	REMARKS
1	I8-98325 138-3		TRANSMISSION ASM; MANUAL	2-20	1	1706-	
2	I8-98367 741-0		HOUSING; CLU	2-20	2	1706-	
3	I1-33119 571-0		NUT; CASE,TRANS	2-20	6	1706-	
4	I8-98284 107-0		COVER; CHECK HOLE,DUST	2-20	24	1706-	
5	I0-28050 816-0		BOLT; COVER TO CLU HSG	2-20	27	1706-	M8X16
6	IE-88776 220-0		COVER; FRT,TRANS CASE	2-20	28	1706-	
7	IE-81089 000-0		BOLT; FRT COVER	2-20	29	1706-	
8	IE-88707 600-0		SEAL; OIL,FRT COVER,T/M	2-20	33	1706-	
9	I1-09811 002-1		BEARING; NEEDLE,CLU HSG	2-20	36	1706-	NTN
10	I1-09625 002-0		SEAL; DUST,CLU HSG	2-20	37	1706-	
11	IE-88805 190-0		GASKET; FILLER PLUG	2-20	45	1706-	
12	I1-33141 074-0		COVER; SIDE,TRANS CASE	2-20	71	1706-	
13	IE-81088 000-0		BOLT; SIDE COVER	2-20	72	1706-	
14	IE-81080 000-0		BOLT; RR COVER	2-20	86	1706-	(A) M10X58
15	IE-81240 000-0		BOLT; RR COVER	2-20	86	1706-	(B)
16	IE-81095 000-0		BOLT; RR COVER	2-20	86	1706-	(C)
17	IE-33048 900-0		SEAL; OIL,RR COVER	2-20	90	1706-	

PART INFORMATION

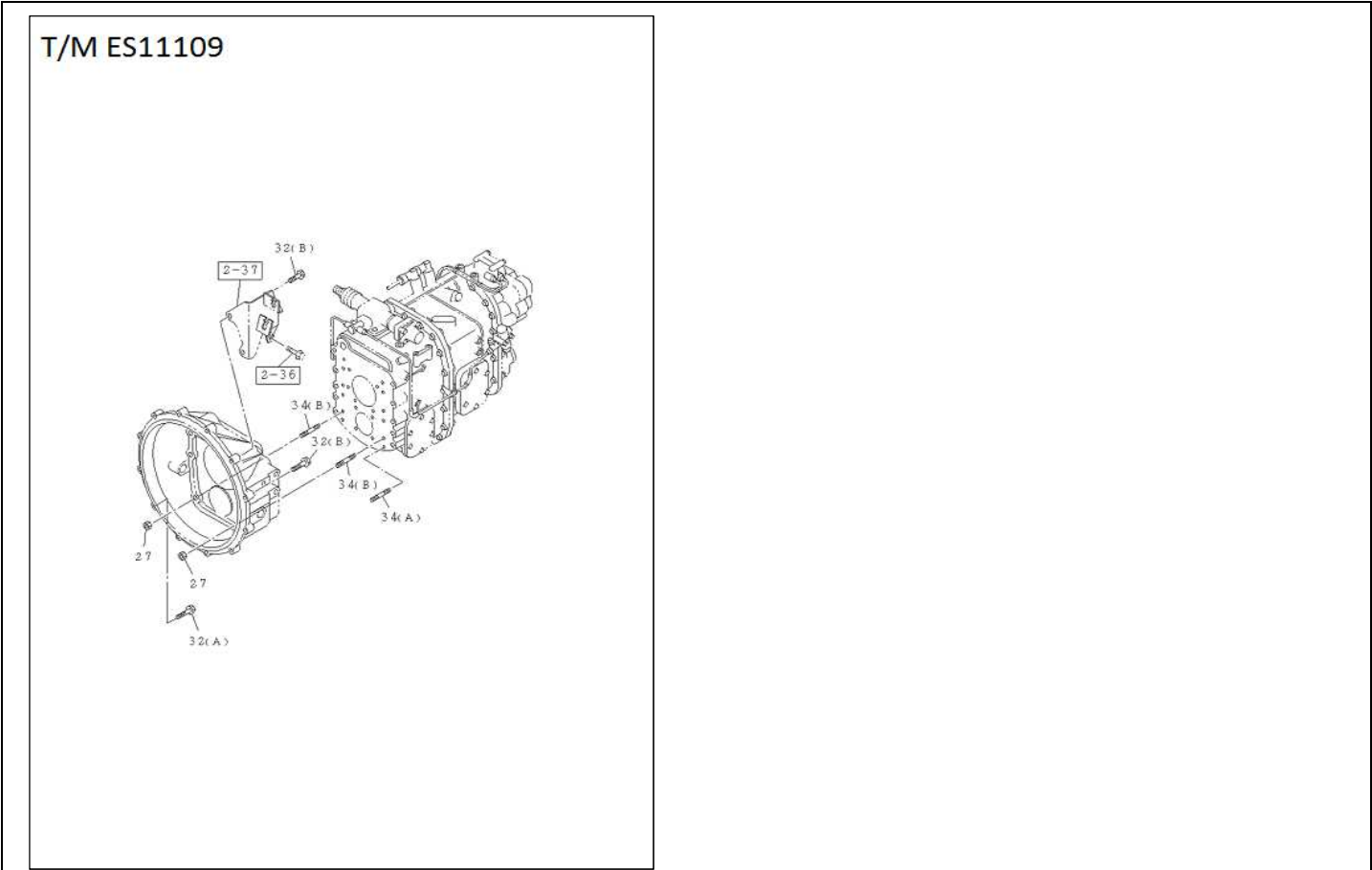
No : FORM/D/16/006/Rev00
 Ref No : 025/PI/PART/IAMI/XI/19
 Tanggal : 12 November 2019
 Perihal : EATON M/T 9 SPEED, FVM VD00

18	IE-88705 430-0	DOWEL; TRANS CASE	2-20	123	1706-	
19	I1-09660 961-0	CONNECTOR; NYLON TUBE	2-20	180	1706-	
20	IE-88764 070-0	CLIP; NYLON TUBE	2-20	199	1706-	(A)
21	I1-33119 476-0	CLIP; NYLON TUBE	2-20	199	1706-	(B)
22	IE-88763 510-0	STRAINER; OIL PUMP	2-20	262	1706-	
23	IE-88804 690-0	GASKET; STRAINER	2-20	263	1706-	
24	IE-81006 000-0	BOLT; OIL PUMP	2-20	264	1706-	
25	IE-81088 000-0	BOLT; CLIP	2-20	265	1706-	
26	IE-11245 000-0	WASHER; PL	2-20	267	1706-	
27	I1-87411 006-0	TUBE; NYLON	2-20	303	1706-	OD=8
28	IE-88713 770-0	BUSHING; SHIFT FORK SHAFT	2-20	307	1706-	(A)
29	IE-88824 150-0	BUSHING; SHIFT FORK SHAFT	2-20	307	1706-	(B)
30	IE-20815 000-0	EYE; LIFTING	2-20	309	1706-	(A)
31	IE-88740 260-0	EYE; LIFTING	2-20	309	1706-	(B)
32	IE-81079 000-0	BOLT; CASE	2-20	315	1706-	(A) M10X40
33	IE-81080 000-0	BOLT; CASE	2-20	315	1706-	(B) M10X58
34	IE-14373 000-0	MAGNET; TRANS CASE	2-20	316	1706-	
35	IE-81240 000-0	BOLT; COVER	2-20	319	1706-	
36	I1-33119 571-0	NUT; RR COVER	2-20	323	1706-	
37	IE-88739 170-0	COVER; RR,COUNTER	2-20	327	1706-	
38	IE-88838 240-0	PUMP ASM; OIL	2-20	329	1706-	
39	IE-88719 920-0	COVER; BRG	2-20	415	1706-	
40	IE-88749 410-0	PLUG; OIL FILLER,TRANS	2-20	417	1706-	
41	I1-33131 250-0	COVER; RR,TRANS	2-20	421	1706-	(A)
42	IE-88740 130-0	COVER; RR,TRANS	2-20	421	1706-	(B)
43	IE-88705 420-0	PIN; STRAIGHT	2-20	429	1706-	
44	IE-88815 450-0	TUBE; NYLON	2-20	431	1706-	
45	IE-88766 440-0	CASE; TRANS	2-20	435	1706-	(A)
46	IE-88819 890-0	CASE; TRANS	2-20	435	1706-	(B)
47	IE-88808 460-0	CONNECTOR; AIR HOSE,SUPP	2-20	436	1706-	(A)
48	I8-98349 505-0	CONNECTOR; AIR HOSE,SUPP	2-20	436	1706-	(B)
49	IE-88763 520-0	PLUG; CASE,TRANS	2-20	446	1706-	
50	IE-88702 780-0	CUP; SEALING,CASE	2-20	457	1706-	
51	I1-33119 568-0	WASHER; LK,OIL PUMP	2-20	478	1706-	
52	IE-88814 750-0	GASKET	2-20	689	1706-	
53	IE-88763 530-0	STRAINER ASM	2-20	700	1706-	
54	I8-98349 517-0	SENSOR; SPEED,M/T	2-20	709	1706-	
55	IE-88824 280-0	ROTOR	2-20	717	1706-	

PART INFORMATION

No : FORM/D/16/006/Rev00
 Ref No : 025/PI/PART/IAMI/XI/19
 Tanggal : 12 November 2019
 Perihal : EATON M/T 9 SPEED, FVM VD00

FIG NO : 2-25 SPEEDOMETER DRIVEN GEAR

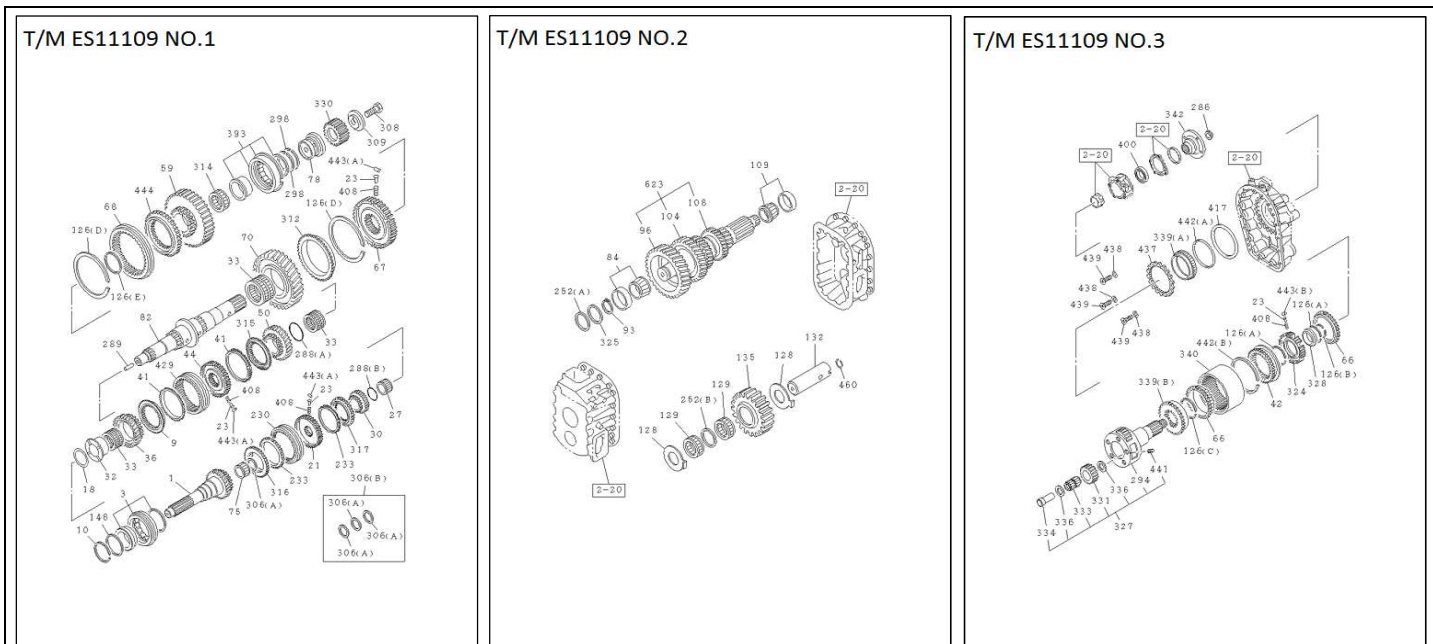


NO	PART NUMBER	ITC	DESCRIPTION	FIG No.	KEY NO.	APPLIED DATE	REMARKS
1	IE-91204 000-0		NUT; CLU HSG TO TRANS	2-25	27	1706-	
2	I0-28051 035-0		BOLT; CLU HSG TO FLYWHEEL	2-25	32	1706-	(A) M10X35
3	I0-28051 045-0		BOLT; CLU HSG TO FLYWHEEL	2-25	32	1706-	(B) M10X45
4	I1-33119 581-0		STUD; CLU HSG	2-25	34	1706-	(A)
5	IE-88746 990-0		STUD; CLU HSG	2-25	34	1706-	(B)

PART INFORMATION

No : FORM/D/16/006/Rev00
 Reff No : 025/PI/PART/IAMI/XI/19
 Tanggal : 12 November 2019
 Perihal : EATON M/T 9 SPEED, FVM VD00

FIG NO : 2-26 MANUAL TRANSMISSION GEAR



NO	PART NUMBER	ITC	DESCRIPTION	FIG No.	KEY NO.	APPLIED DATE	REMARKS
1	I1-33215 039-0		SHAFT; TOP GEAR,TRANS	2-26	1	1706-	
2	IE-88725 930-0		BEARING; TOP GEAR SHAFT	2-26	3	1706-	
3	IE-88830 430-0		CLUTCH; DOG, TOP GEAR	2-26	9	1706-	
4	IE-88777 060-0		RING; SNAP,PILOT BRG	2-26	10	1706-	
5	IE-88705 360-0		RING; SNAP,CLU HUB	2-26	18	1706-	T=2.00
6	IE-88705 340-0		RING; SNAP,CLU HUB	2-26	18	1706-	T=2.10
7	I1-33269 101-0		RING; SNAP,CLU HUB	2-26	18	1706-	T=2.05
8	I1-33269 111-0		RING; SNAP,CLU HUB	2-26	18	1706-	T=2.15
9	I1-33269 112-0		RING; SNAP,CLU HUB	2-26	18	1706-	T=2.20
10	IE-88755 540-0		HUB; CLU,4TH & 5TH	2-26	21	1706-	
11	IE-88703 520-0		PLUNGER; DETENT,SYN	2-26	23	1706-	
12	IE-88752 760-0		BEARING; 4TH GEAR	2-26	27	1706-	
13	IE-88807 400-0		GEAR; 4TH,MAINSHAFT	2-26	30	1706-	
14	IE-88828 680-0		COLLAR; 3RD GEAR	2-26	32	1706-	
15	IE-88701 770-0		BEARING; NEEDLE,3RD GEAR	2-26	33	1706-	
16	IE-88769 490-0		GEAR; 3RD,MAINSHAFT	2-26	36	1706-	
17	IE-88830 440-0		RING; BLOCK,2ND & 3RD	2-26	41	1706-	
18	IE-88805 220-0		SLEEVE	2-26	42	1706-	
19	IE-88755 710-0		HUB; CLU,2ND & 3RD,MAIN	2-26	44	1706-	
20	IE-88769 480-0		GEAR; 2ND,MAINSHAFT	2-26	50	1706-	
21	IE-88764 780-0		GEAR; REV MAINSHAFT	2-26	59	1706-	
22	I8-98349 498-0		RING; BLOCK,SYN	2-26	66	1706-	
23	IE-88756 040-0		HUB; CLU,1ST TO REV	2-26	67	1706-	
24	IE-88804 610-0		SLEEVE; 1ST TO REV	2-26	68	1706-	
25	I8-98358 689-0		GEAR; 1ST,MAINSHAFT	2-26	70	1706-	
26	IE-88703 050-0		BEARING; MAINSHAFT	2-26	75	1706-	
27	IE-88834 340-0		COLLAR; DIST,MAINSHAFT BR	2-26	78	1706-	
28	IE-88833 210-0		SHAFT; MAIN,TRANS	2-26	82	1706-	

PART INFORMATION

No : FORM/D/16/006/Rev00
 Reff No : 025/PI/PART/IAMI/XI/19
 Tanggal : 12 November 2019
 Perihal : EATON M/T 9 SPEED, FVM VD00

29	IE-88808 200-0	BEARING; COUNTER SHAFT,F	2-26	84	1706-	
30	IE-88703 700-0	RING; SNAP,COUNTER FRT BR	2-26	93	1706-	T=2.12
31	IE-88703 710-0	RING; SNAP,COUNTER FRT BR	2-26	93	1706-	T=2.07
32	IE-88703 720-0	RING; SNAP,COUNTER FRT BR	2-26	93	1706-	T=2.02
33	IE-88715 360-0	RING; SNAP,COUNTER FRT BR	2-26	93	1706-	T=1.97
34	IE-88715 370-0	RING; SNAP,COUNTER FRT BR	2-26	93	1706-	T=1.92
35	IE-88715 380-0	RING; SNAP,COUNTER FRT BR	2-26	93	1706-	T=1.87
36	IE-88715 390-0	RING; SNAP,COUNTER FRT BR	2-26	93	1706-	T=1.82
37	IE-88715 400-0	RING; SNAP,COUNTER FRT BR	2-26	93	1706-	T=1.77
38	IE-88779 750-0	GEAR; COUNTER DRIVE	2-26	96	1706-	
39	IE-88807 410-0	GEAR; 4TH,COUNTER	2-26	104	1706-	
40	IE-88769 470-0	SHAFT; COUNTER	2-26	108	1706-	
41	IE-88808 200-0	BEARING; COUNTER SHAFT,R	2-26	109	1706-	
42	IE-88703 410-0	RING; SNAP,CLU HUB	2-26	126	1706-	(A)
43	IE-88703 440-0	RING; SNAP,CLU HUB	2-26	126	1706-	(B)
44	IE-88703 420-0	RING; SNAP,CLU HUB	2-26	126	1706-	(C)
45	IE-88739 940-0	RING; SNAP,CLU HUB	2-26	126	1706-	(D)
46	IE-88703 780-0	RING; SNAP,CLU HUB	2-26	126	1706-	(E) T=2.10
47	IE-88703 790-0	RING; SNAP,CLU HUB	2-26	126	1706-	(E) T=2.05
48	IE-88703 800-0	RING; SNAP,CLU HUB	2-26	126	1706-	(E) T=2.00
49	IE-88703 430-0	WASHER; THRUST,REV SHAF	2-26	128	1706-	
50	IE-88724 780-0	BEARING; NEEDLE,IDLER	2-26	129	1706-	
51	IE-88832 460-0	SHAFT; REV	2-26	132	1706-	
52	IE-88804 890-0	GEAR; REV IDLER	2-26	135	1706-	
53	IE-88776 920-0	SPACER; PILOT BRG,MAINSHA	2-26	148	1706-	T=3.10
54	IE-88776 930-0	SPACER; PILOT BRG,MAINSHA	2-26	148	1706-	T=3.15
55	IE-88776 940-0	SPACER; PILOT BRG,MAINSHA	2-26	148	1706-	T=3.20
56	IE-88776 950-0	SPACER; PILOT BRG,MAINSHA	2-26	148	1706-	T=3.25
57	IE-88776 960-0	SPACER; PILOT BRG,MAINSHA	2-26	148	1706-	T=3.30
58	IE-88776 970-0	SPACER; PILOT BRG,MAINSHA	2-26	148	1706-	T=3.35
59	IE-88776 980-0	SPACER; PILOT BRG,MAINSHA	2-26	148	1706-	T=3.40
60	IE-88776 990-0	SPACER; PILOT BRG,MAINSHA	2-26	148	1706-	T=3.45
61	IE-88777 000-0	SPACER; PILOT BRG,MAINSHA	2-26	148	1706-	T=3.50
62	IE-88804 600-0	SLEEVE; 4TH TO 5TH	2-26	230	1706-	
63	IE-88830 440-0	RING; BLOCK 4TH TO 5TH	2-26	233	1706-	
64	IE-88758 790-0	SPACER	2-26	252	1706-	(A)
65	IE-88724 790-0	SPACER	2-26	252	1706-	(B)
66	IE-33039 100-0	NUT; LK,MAINSHAFT	2-26	286	1706-	
67	IE-88725 890-0	SPACER; BRG,MAINSHAFT	2-26	288	1706-	(A)
68	IE-88725 880-0	SPACER; BRG,MAINSHAFT	2-26	288	1706-	(B)
69	IE-14851 000-0	PIN; MAINSHAFT	2-26	289	1706-	
70	I1-33231 348-0	SHAFT; OUTPUT	2-26	294	1706-	
71	IE-88755 320-0	GASKET; MAINSHAFT	2-26	298	1706-	
72	IE-88703 700-0	RING; SNAP,MAINSHAFT	2-26	306	1706-	(A) T=2.12
73	IE-88703 710-0	RING; SNAP,MAINSHAFT	2-26	306	1706-	(A) T=2.07
74	IE-88703 720-0	RING; SNAP,MAINSHAFT	2-26	306	1706-	(A) T=2.02
75	I1-33239 314-0	RING; SNAP,MAINSHAFT	2-26	306	1706-	(B)
76	IE-88706 990-0	BOLT; MAINSHAFT	2-26	308	1706-	
77	IE-88805 940-0	PLATE; MAINSHAFT	2-26	309	1706-	
78	IE-88800 590-0	CLUTCH; DOG,1ST GEAR	2-26	312	1706-	
79	IE-88701 780-0	BEARING; NEEDLE,REV GEAR	2-26	314	1706-	
80	IE-88830 430-0	CLUTCH; DOG,2ND GEAR	2-26	315	1706-	
81	IE-88830 430-0	CLUTCH; DOG,3RD GEAR	2-26	316	1706-	
82	IE-88830 430-0	CLUTCH; DOG,4TH GEAR	2-26	317	1706-	
83	IE-88758 810-0	HUB; CLU	2-26	324	1706-	

PART INFORMATION

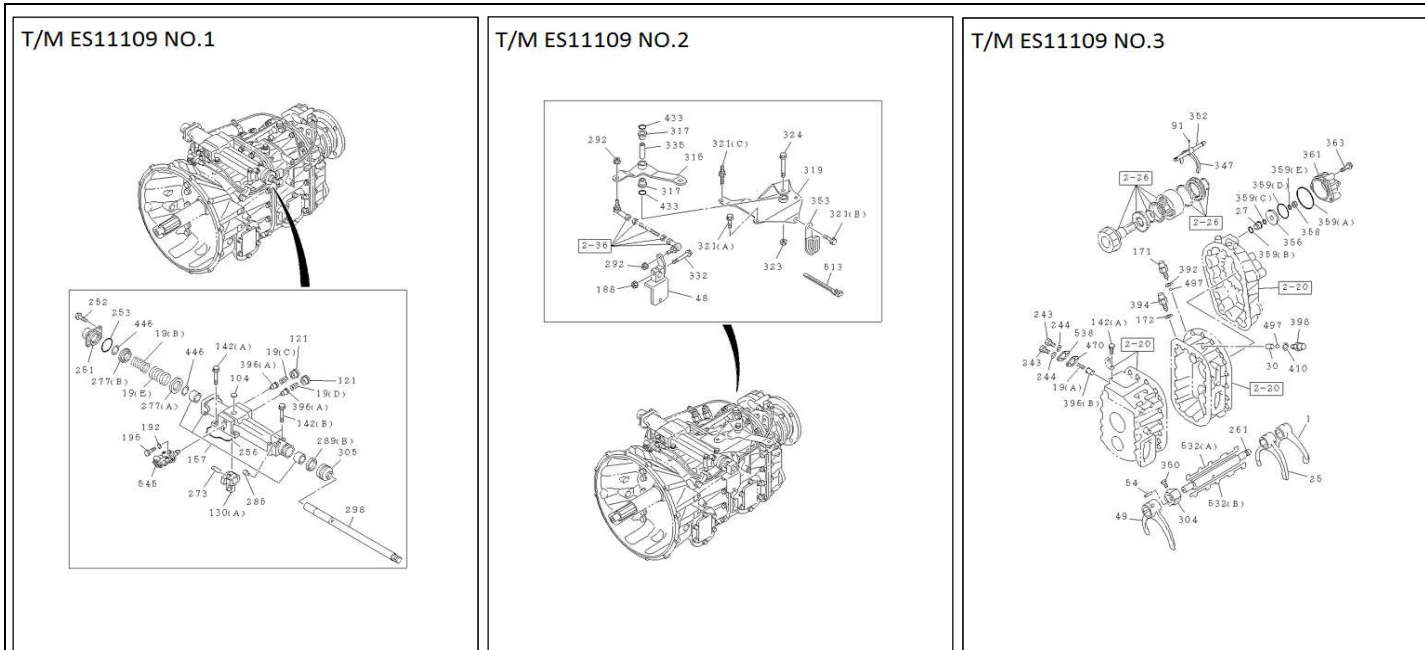
No : FORM/D/16/006/Rev00
 Reff No : 025/PI/PART/IAMI/XI/19
 Tanggal : 12 November 2019
 Perihal : EATON M/T 9 SPEED, FVM VD00

84	IE-88891 000-0	SHIM; COUNTER SHAFT BRG	2-26	325	1706-	T=0.051
85	IE-88892 000-0	SHIM; COUNTER SHAFT BRG	2-26	325	1706-	T=0.127
86	IE-88893 000-0	SHIM; COUNTER SHAFT BRG	2-26	325	1706-	T=0.254
87	IE-88894 000-0	SHIM; COUNTER SHAFT BRG	2-26	325	1706-	T=0.510
88	IE-88822 720-0	SHIM; COUNTER SHAFT BRG	2-26	325	1706-	T=1.200
89	I8-98349 496-0	CARRIER; PLANETARY GEAR	2-26	327	1706-	
90	IE-88708 440-0	BEARING; CARRIER	2-26	328	1706-	
91	IE-88833 940-0	GEAR; SUN	2-26	330	1706-	
92	IE-88833 950-0	GEAR SET; PLANETARY	2-26	331	1706-	
93	IE-88752 350-0	ROLLER; PLANETARY GEAR	2-26	333	1706-	
94	IE-88833 120-0	SHAFT; PLANETARY GEAR	2-26	334	1706-	
95	IE-88768 930-0	WASHER; THRUST,PLANETAR	2-26	336	1706-	
96	IE-88773 220-0	CLUTCH; PLANETARY GEAR	2-26	339	1706-	(A)
97	IE-88773 230-0	CLUTCH; PLANETARY GEAR	2-26	339	1706-	(B)
98	IE-88726 800-0	GEAR; RING	2-26	340	1706-	
99	IE-88779 990-0	FLANGE; OUTPUT	2-26	342	1706-	
100	IE-88771 640-0	BEARING; MAINSHAFT END	2-26	393	1706-	
101	IE-88727 210-0	BEARING; OUTPUT SHAFT RR	2-26	400	1706-	
102	IE-88704 440-0	SPRING	2-26	408	1706-	
103	IE-88708 080-0	SPACER; OUTPUT SHAFT	2-26	417	1706-	
104	IE-88804 600-0	SLEEVE; 2ND & 3RD	2-26	429	1706-	
105	IE-88756 460-0	PLATE; LOCK	2-26	437	1706-	
106	IE-88708 480-0	WASHER; LOCK PLATE	2-26	438	1706-	
107	IE-80806 000-0	SCREW; LOCK PLATE	2-26	439	1706-	
108	IE-11060 100-0	SCREW; STOPPER,PIN	2-26	441	1706-	
109	IE-88739 930-0	RING; SNAP,CARRIER	2-26	442	1706-	(A)
110	IE-88752 960-0	RING; SNAP,CARRIER	2-26	442	1706-	(B)
111	IE-88703 560-0	ROLLER; SYNCHRONIZER	2-26	443	1706-	(A)
112	IE-88703 550-0	ROLLER; SYNCHRONIZER	2-26	443	1706-	(B)
113	IE-88704 150-0	CLUTCH; DOG,REV GEAR	2-26	444	1706-	
114	IE-88814 240-0	RING; SNAP,REV SHAFT	2-26	460	1706-	
115	IE-88807 460-0	SHAFT ASM; COUNTER	2-26	623	1706-	

PART INFORMATION

No : FORM/D/16/006/Rev00
 Reff No : 025/PI/PART/IAMI/XI/19
 Tanggal : 12 November 2019
 Perihal : EATON M/T 9 SPEED, FVM VD00

FIG NO : 2-30 GEAR SHIFTER AND QUADRANT BOX



NO	PART NUMBER	ITC	DESCRIPTION	FIG No.	KEY NO.	APPLIED DATE	REMARKS
1	IE-88754 990-0		ARM; SHIFT,1ST & REV	2-30	1	1706-	
2	IE-88748 970-0		SPRING; COIL COMP	2-30	19	1706-	(A)
3	IE-88713 950-0		SPRING; COIL COMP	2-30	19	1706-	(B)
4	IE-88815 920-0		SPRING; COIL COMP	2-30	19	1706-	(C)
5	IE-88815 930-0		SPRING; COIL COMP	2-30	19	1706-	(D)
6	IE-88763 450-0		SPRING; COIL COMP	2-30	19	1706-	(E)
7	IE-88807 600-0		ARM; SHIFT,2ND & 3RD	2-30	25	1706-	
8	IE-88782 400-0		BUSHING; SHIFT ROD	2-30	27	1706-	
9	IE-88752 670-0		PIN; INTER LK	2-30	30	1706-	
10	I8-98031 634-0		LEVER; 4TH,SHIFT	2-30	48	1706-	
11	IE-88754 970-0		ARM; SHIFT,4TH & 5TH	2-30	49	1706-	
12	IE-88702 770-0		PIN; SPR,SHIFT BLOCK	2-30	54	1706-	
13	IE-88786 650-0		PIN; SPR,SHIFT ARM	2-30	91	1706-	
14	IE-88714 860-0		PLUG; PLATE	2-30	104	1706-	
15	IE-88803 010-0		PLUG; DETENT SPR	2-30	121	1706-	
16	IE-88802 980-0		LEVER; SHIFT,INTERNAL	2-30	130	1706-	(A)
17	IE-81091 000-0		BOLT; QUAD BOX	2-30	142	1706-	(A)
18	IE-81094 000-0		BOLT; QUAD BOX	2-30	142	1706-	(B) M10X35
19	IE-88802 580-0		BOX; QUAD,TRANS	2-30	157	1706-	
20	IE-88803 150-0		SWITCH; NEUTRAL	2-30	171	1706-	
21	IE-55685 100-0		GASKET; NEUTRAL SW	2-30	172	1706-	
22	I0-91180 110-0		NUT; SELECT LEVER	2-30	188	1706-	M10
23	IE-30602 000-0		WASHER; PL	2-30	192	1706-	
24	IE-80634 000-0		BOLT	2-30	195	1706-	
25	IE-80801 000-0		BOLT; COVER	2-30	243	1706-	
26	IE-30801 000-0		WASHER; LK,COVER	2-30	244	1706-	

PART INFORMATION

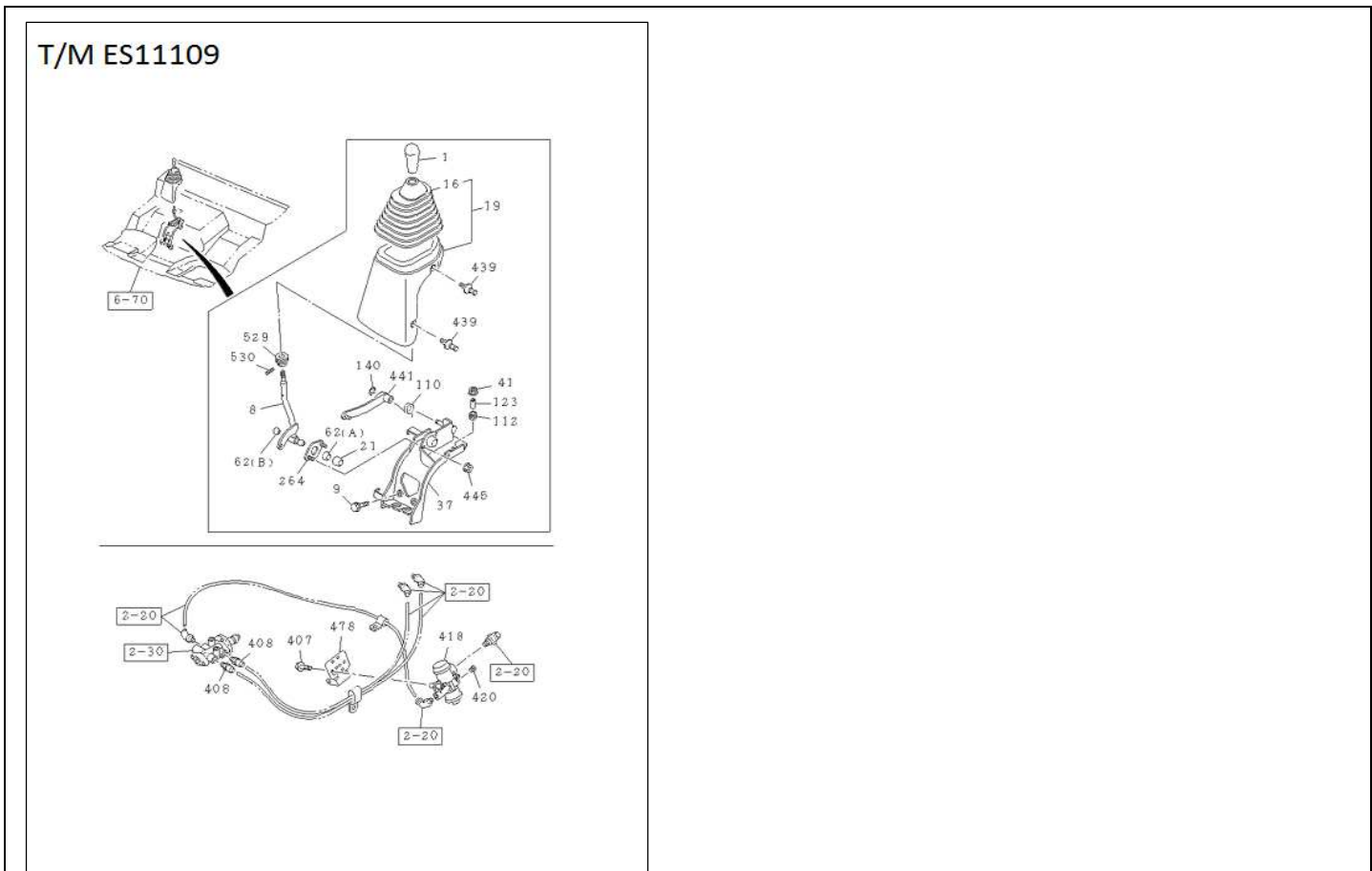
No : FORM/D/16/006/Rev00
 Reff No : 025/PI/PART/IAMI/XI/19
 Tanggal : 12 November 2019
 Perihal : EATON M/T 9 SPEED, FVM VD00

27	IE-88804 770-0	COVER; SIDE	2-30	251	1706-	
28	IE-80847 000-0	BOLT; SIDE COVER	2-30	252	1706-	
29	IE-88806 390-0	GASKET; SIDE COVER	2-30	253	1706-	
30	IE-88806 380-0	GASKET; QUAD BOX TO TRAN	2-30	256	1706-	
31	I8-98349 521-0	ROD; GEAR CONT	2-30	261	1706-	
32	IE-88713 780-0	PIN; SPR,STOPPER	2-30	273	1706-	
33	IE-88765 660-0	PLATE; SPRING SEAT	2-30	277	1706-	(A)
34	IE-88765 670-0	PLATE; SPRING SEAT	2-30	277	1706-	(B)
35	IE-20142 100-0	BREATHER; AIR,QUAD BOX	2-30	285	1706-	
36	I1-33542 061-0	SEAL; OIL,CONT SHAFT,QUAD	2-30	289	1706-	(B)
37	I1-09440 062-1	NUT; LINK ROD	2-30	292	1706-	M8
38	I8-98346 607-0	SHAFT; SHIFT LEVER	2-30	298	1706-	
39	I1-33511 534-0	BLOCK; SHIFT SHAFT	2-30	304	1706-	
40	I1-33549 233-0	BOOT; LEVER SHAFT	2-30	305	1706-	
41	I8-98032 139-0	LEVER; SELECT	2-30	315	1706-	
42	I1-09330 119-0	BUSHING; LEVER	2-30	317	1706-	
43	I1-33657 816-0	BRACKET; SELECT LEVER	2-30	319	1706-	
44	I0-28151 060-0	BOLT; BRKT,RELAY LEVER	2-30	321	1706-	(A) M10X60
45	I0-28751 025-0	BOLT; BRKT,RELAY LEVER	2-30	321	1706-	(B) M10X25
46	I8-97178 725-0	BOLT; BRKT,RELAY LEVER	2-30	321	1706-	(C) M10X35
47	I0-91180 110-0	NUT; LK,SELECT LEVER	2-30	323	1706-	(D) M10
48	I0-28051 060-0	BOLT; SHAFT	2-30	324	1706-	(E) M10X60
49	I0-29261 060-0	BOLT; 4TH,SHIFT LEVER	2-30	332	1706-	
50	I1-33659 220-0	COLLAR; DIST,RELAY LEVER	2-30	335	1706-	
51	IE-88727 370-0	ARM; SHIFT,RANGE CHANGE	2-30	347	1706-	
52	IE-88736 910-0	SCREW; SHIFT ARM	2-30	350	1706-	
53	IE-88726 260-0	ROD; SHIFT,RANGE CHANGE	2-30	352	1706-	
54	I8-94224 891-1	CLIP; AIR HOSE	2-30	353	1706-	L=36
55	IE-88751 790-0	PISTON; AIR CYL	2-30	356	1706-	
56	IE-91602 000-0	NUT; SHIFT ROD	2-30	358	1706-	
57	IE-88730 080-0	GASKET; AIR CYL	2-30	359	1706-	(A)
58	IE-88752 920-0	GASKET; AIR CYL	2-30	359	1706-	(B)
59	IE-88712 580-0	GASKET; AIR CYL	2-30	359	1706-	(C)
60	IE-14344 000-0	GASKET; AIR CYL	2-30	359	1706-	(D)
61	IE-14345 000-0	GASKET; AIR CYL	2-30	359	1706-	(E)
62	IE-88754 300-0	CYLINDER; AIR,SHIFT	2-30	361	1706-	
63	IE-81091 000-0	BOLT; AIR CYL	2-30	363	1706-	
64	IE-55685 100-0	GASKET; PLUG & SW	2-30	392	1706-	
65	IE-27715 320-0	SWITCH; RANGE CHANGE	2-30	394	1706-	
66	IE-88809 860-0	PLUNGER; SHIFT ROD	2-30	396	1706-	(A)
67	I8-98350 777-0	PLUNGER; SHIFT ROD	2-30	396	1706-	(B)
68	IE-27715 320-0	SWITCH; REV LAMP	2-30	398	1706-	
69	IE-55685 100-0	GASKET; REV SW	2-30	410	1706-	
70	I1-09623 594-0	GASKET; BUSHING	2-30	433	1706-	
71	IE-88744 500-0	RING; SNAP,SPR SEAT	2-30	446	1706-	
72	IE-88705 900-0	GASKET; SPRING COVER	2-30	470	1706-	
73	IE-88707 110-0	BALL; SWITCH	2-30	497	1706-	
74	I1-09707 107-1	CLIP; BAND	2-30	513	1706-	L=600
75	I1-09707 183-0	CLIP; BAND	2-30	513	1706-	L=350
76	IE-88723 280-0	PLATE; SHIFT FORK	2-30	532	1706-	(A)
77	IE-88807 590-0	PLATE; SHIFT FORK	2-30	532	1706-	(B)
78	IE-88702 590-0	COVER; DETENT	2-30	538	1706-	
79	IE-88800 550-0	VALVE; POPPET	2-30	545	1706-	

PART INFORMATION

No : FORM/D/16/006/Rev00
 Reff No : 025/PI/PART/IAMI/XI/19
 Tanggal : 12 November 2019
 Perihal : EATON M/T 9 SPEED, FVM VD00

FIG NO : 2-35 MANUAL TRANSMISSION SHIFT CONTROL LEVER



NO	PART NUMBER	ITC	DESCRIPTION	FIG No.	KEY NO.	APPLIED DATE	REMARKS
1	I1-33611 099-1		KNOB; CHANGE LEVER	2-35	1	1706-	
2	I8-98093 455-0		LEVER; CHANGE	2-35	8	1706-	
3	I8-94471 688-1		BOLT; CHANGE LEVER	2-35	9	1706-	M8X25 W/WAVE&PL WASHER
4	I1-79998 751-4		BOOT; CHANGE LEVER	2-35	16	1706-	
5	I8-97407 954-0		COVER; CHANGE LEVER	2-35	19	1706-	GRAY
6	I1-33619 429-0		SEAT; CHANGE LEVER	2-35	21	1706-	
7	I8-98093 444-0		BRACKET; CHANGE LEVER SU	2-35	37	1706-	
8	I8-97329 625-0		NUT; CHANGE LEVER	2-35	41	1706-	M8 W/DISHED WASHER
9	I1-33619 427-0		SEAT; BALL,CHANGE LEVER	2-35	62	1706-	(A)
10	I8-97049 147-0		SEAT; BALL,CHANGE LEVER	2-35	62	1706-	(B)
11	I1-33619 435-0		SPRING; RETURN,CHANGE LE	2-35	110	1706-	
12	I1-33619 442-0		RUBBER; CUSHION	2-35	112	1706-	
13	I1-33619 443-0		COLLAR; DIST,CHANGE LEVER	2-35	123	1706-	
14	I0-91805 510-0		RING; SNAP	2-35	140	1706-	ID=10
15	IE-43019 580-0		GASKET; CHANGE LEVER TO	2-35	145	1706-	
16	I1-33619 430-0		PLATE; COVER	2-35	264	1706-	
17	IE-88801 510-0		BOLT; VALVE	2-35	407	1706-	

PART INFORMATION

No : FORM/D/16/006/Rev00
Reff No : 025/PI/PART/IAMI/XI/19
Tanggal : 12 November 2019
Perihal : EATON M/T 9 SPEED, FVM VD00

18	IE-88815 380-0	CONNECTOR; AIR HOSE	2-35	408	1706-	
19	IE-88801 090-0	VALVE ASM; AIR FILTER REG	2-35	418	1706-	
20	IE-20135 170-0	PLUG; VALVE	2-35	420	1706-	
21	I8-97407 955-0	FASTENER; COVER	2-35	439	1706-	GRAY
22	I8-98093 449-0	LEVER; SELECT	2-35	441	1706-	
23	I0-91180 106-0	NUT; PLATE	2-35	445	1706-	M6
24	IE-88806 590-0	BRACKET; AIR FILTER REG	2-35	478	1706-	
25	I1-33619 504-0	RING; BOOT	2-35	529	1706-	
26	I1-33619 505-0	PIN; SPRING	2-35	530	1706-	