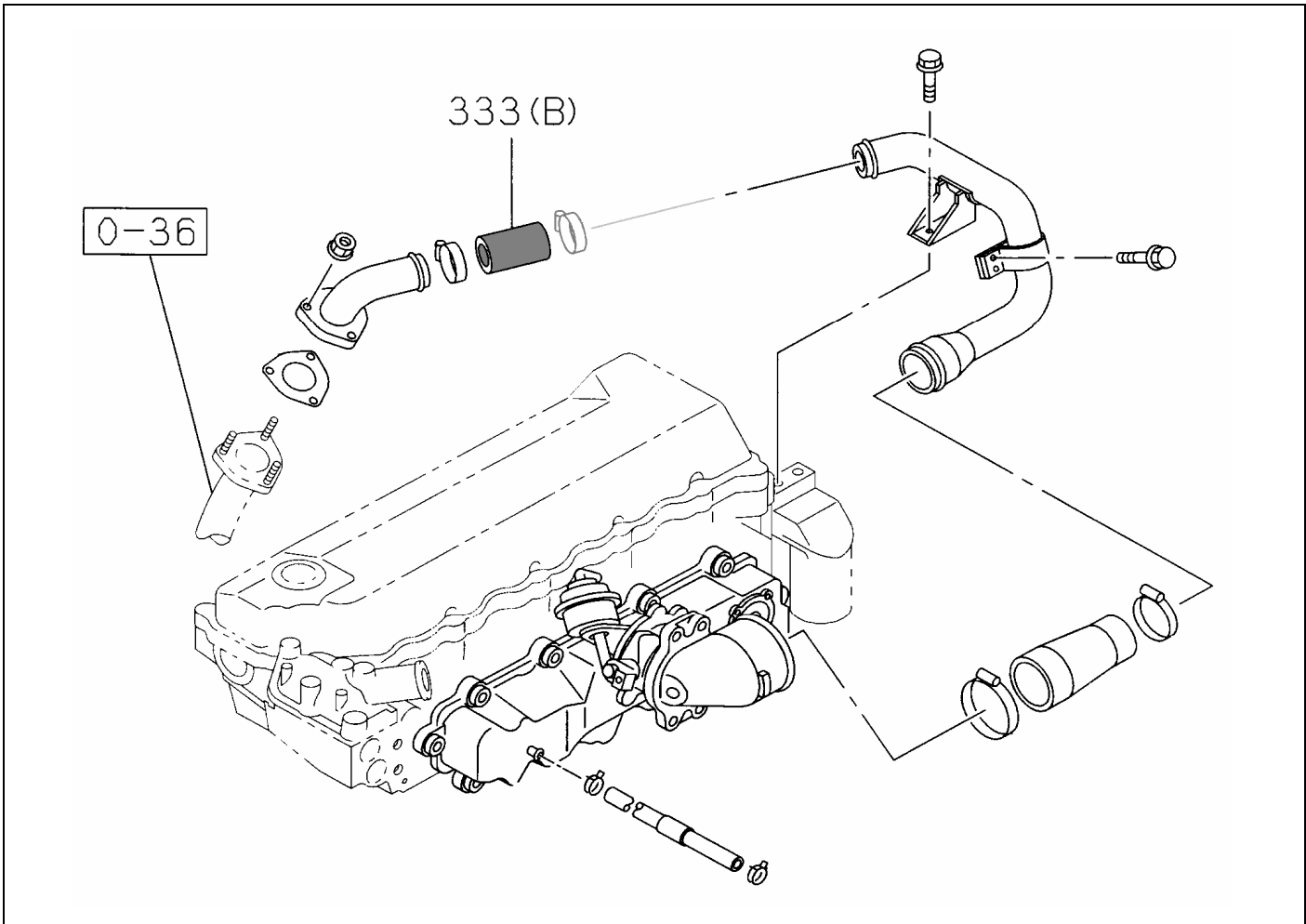


PART INFORMATION

No : 025/ PI / PART / IAMI / VII / 2012
Tanggal : 03 Juli 2012
Perihal : HOSE RUBBER INL PIPE IADG

FIG.NO : 0-25 INLET MANIFOLD



NO	PART NUMBER	DESCRIPTION	FIG NO	KEY NO	APPLIED DATE	RETAIL	REMARKS
1	6-97369 717-0	HOSE; RUBBER, INL PIPE	0-25	333 (B)	0702-	25.000	(B) NKR71 EURO 2

Prepared by : Eddy Pramono , 03 Juli 2012