

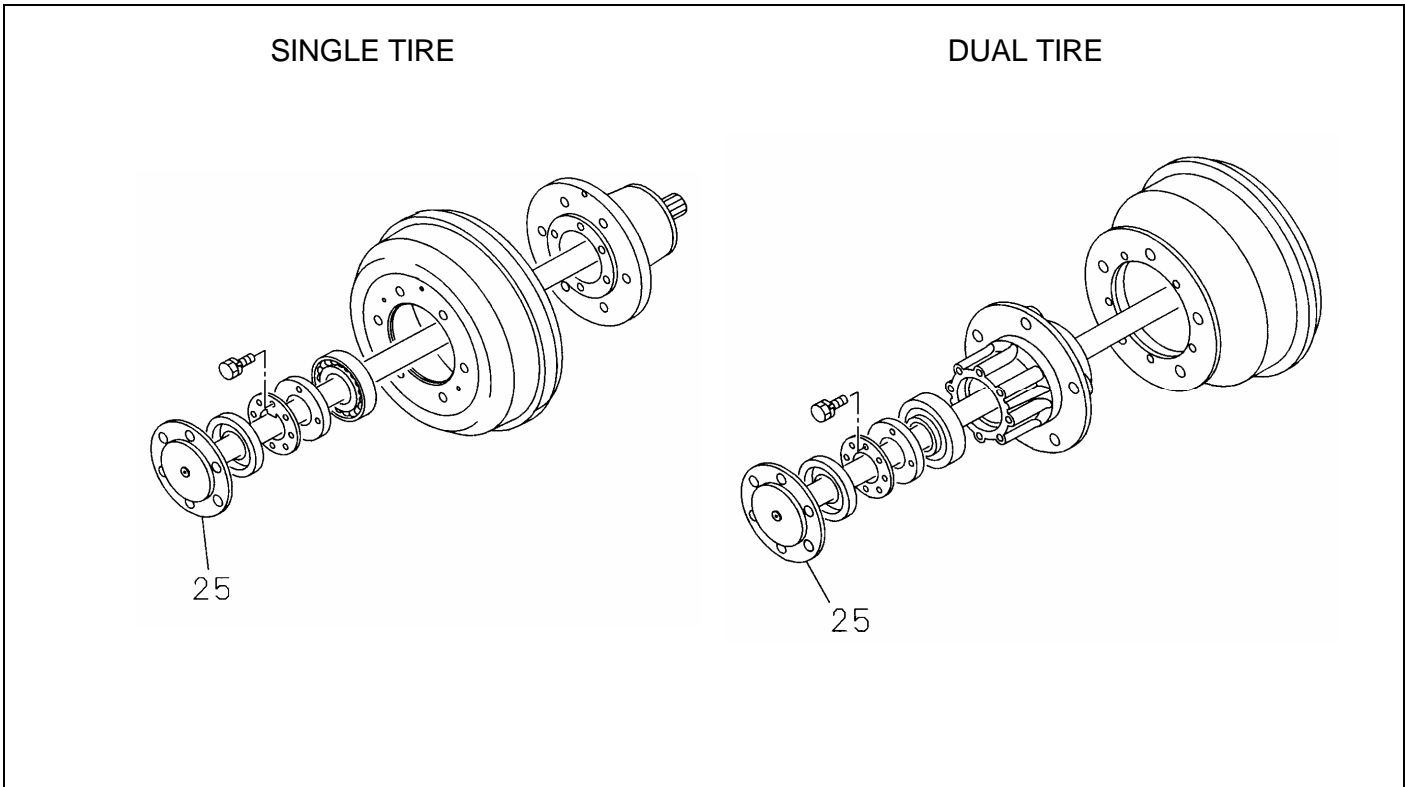
PART INFORMATION

No : 025 / IAMI / PM / PART / V / 2011

Tanggal : 05 Mei 2011

Perihal : SHAFT; AXLE, REAR

FIG.NO : 4-20 REAR AXLE CASE AND SHAFT



NO	PART NUMBER	DESCRIPTION	FIG NO	KEY NO	APPLIED DATE	RETAIL	REMARKS
1	8-97083 094-1	SHAFT ; AXLE , REAR	4-20	25	9312-0701	2.025.000	NHR55-T/B
2	8-97083 094-1	SHAFT ; AXLE , REAR	4-20	25	0702-	2.025.000	NHR55-T/B EURO 2
3	8-97032 496-0	SHAFT ; AXLE , REAR	4-20	25	9312-	2.500.000	NKR 58 , NKR66-2
4	8-97032 496-0	SHAFT ; AXLE , REAR	4-20	25	1011-	2.500.000	NKR55L-T (6T) EURO 2
5	8-94366 192-0	SHAFT ; AXLE , REAR	4-20	25	0702-	2.350.000	NKR55-T/B EURO 2
6	8-94366 192-0	SHAFT ; AXLE , REAR	4-20	25	0702-	2.350.000	NKR55-B (LWB) EURO 2
7	8-98098 425-A	SHAFT ; AXLE , REAR	4-20	25	9312-	870.000	NKR66,NKR71
8	8-97126 893-0	SHAFT ; AXLE , REAR	4-20	25	0702-0907	870.000	NKR71-T/HD EURO 2
9	8-98151 846-0	SHAFT ; AXLE , REAR	4-20	25	0908-	2.525.000	NKR71-T/HD EURO 2