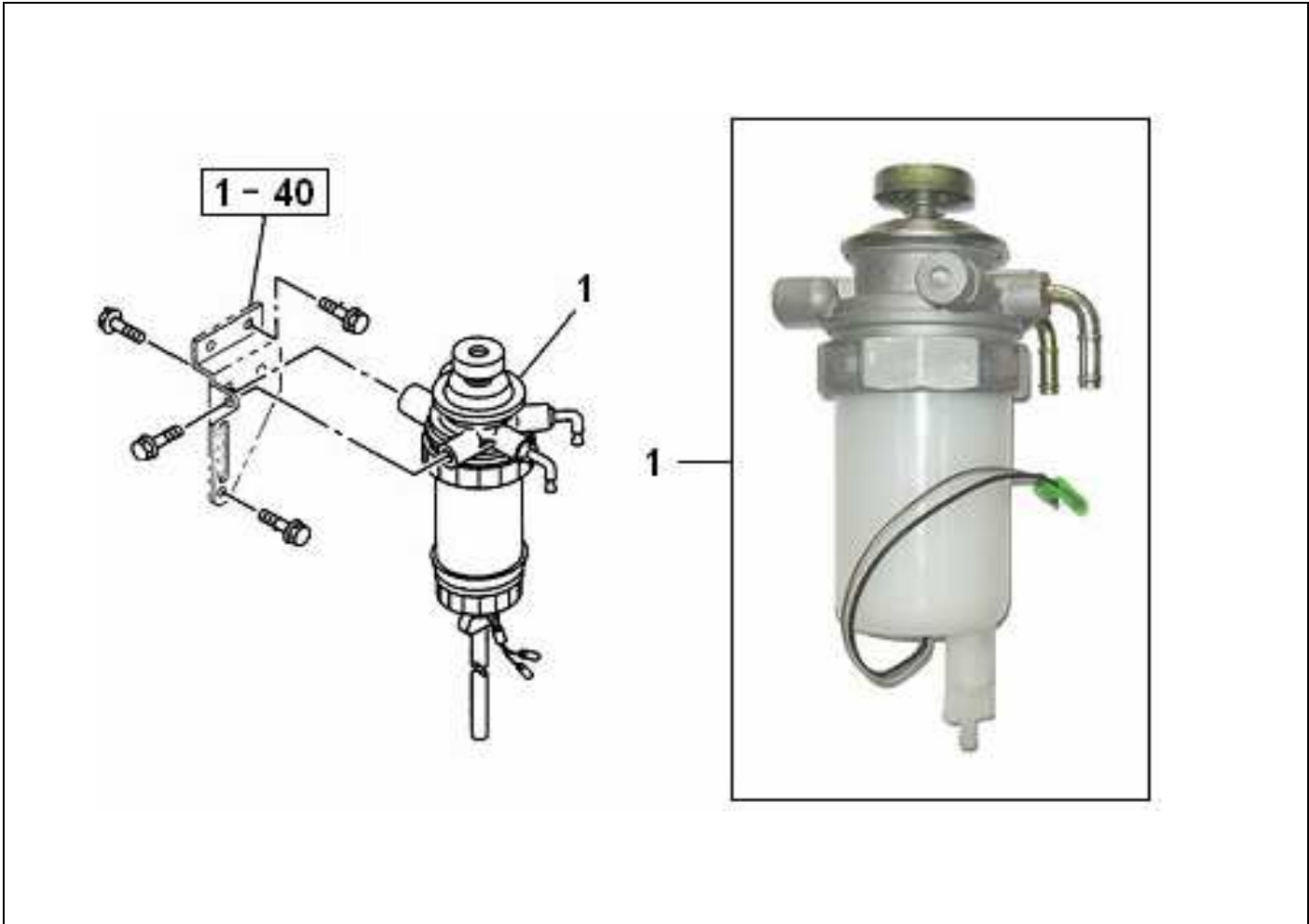


PART INFORMATION

No : 026/ PI / PART / IAMI / VII / 2012
 Tanggal : 03 Juli 2012
 Perihal : FUEL SEDIMENTER

FIG.NO : 1-45 WATER SEDIMENTER FUEL



NO	PART NUMBER	DESCRIPTION	KEY NO	ENGINE	APPLIED DATE	RETAIL	REMARKS
1	6-13200 220-1	FUEL SEDIMETER	1	4JA1	0008-0611	125.000	TBR54
2	6-98019 898-0	FUEL SEDIMETER	1	4JA1-T	0612-	190.000	TBR541 EURO 2

Prepared by : Eddy Pramono , 03 Juli 2012