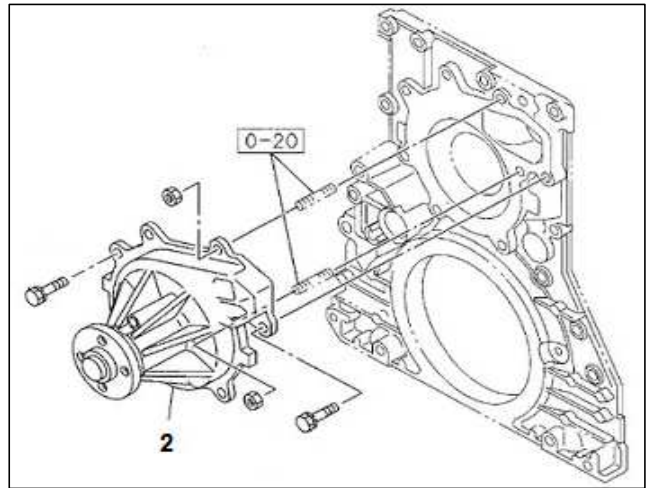


PART INFORMATION

No : 026 / PI / PART / IAMI / VI / 2013

Tanggal : 28 Juni 2013

Perihal : PUMP ASM WATER IADG

FIG.NO : 0-30 WATER PUMP

2

NO	PART NEW	DESCRIPTION	FIG No.	KEY NO.	APPLIED DATE	RETAIL	REMARKS
1	16-97363 478-0	PUMP ASM WATER	0-30	2	1103-	970.000	4HF1, NKR66