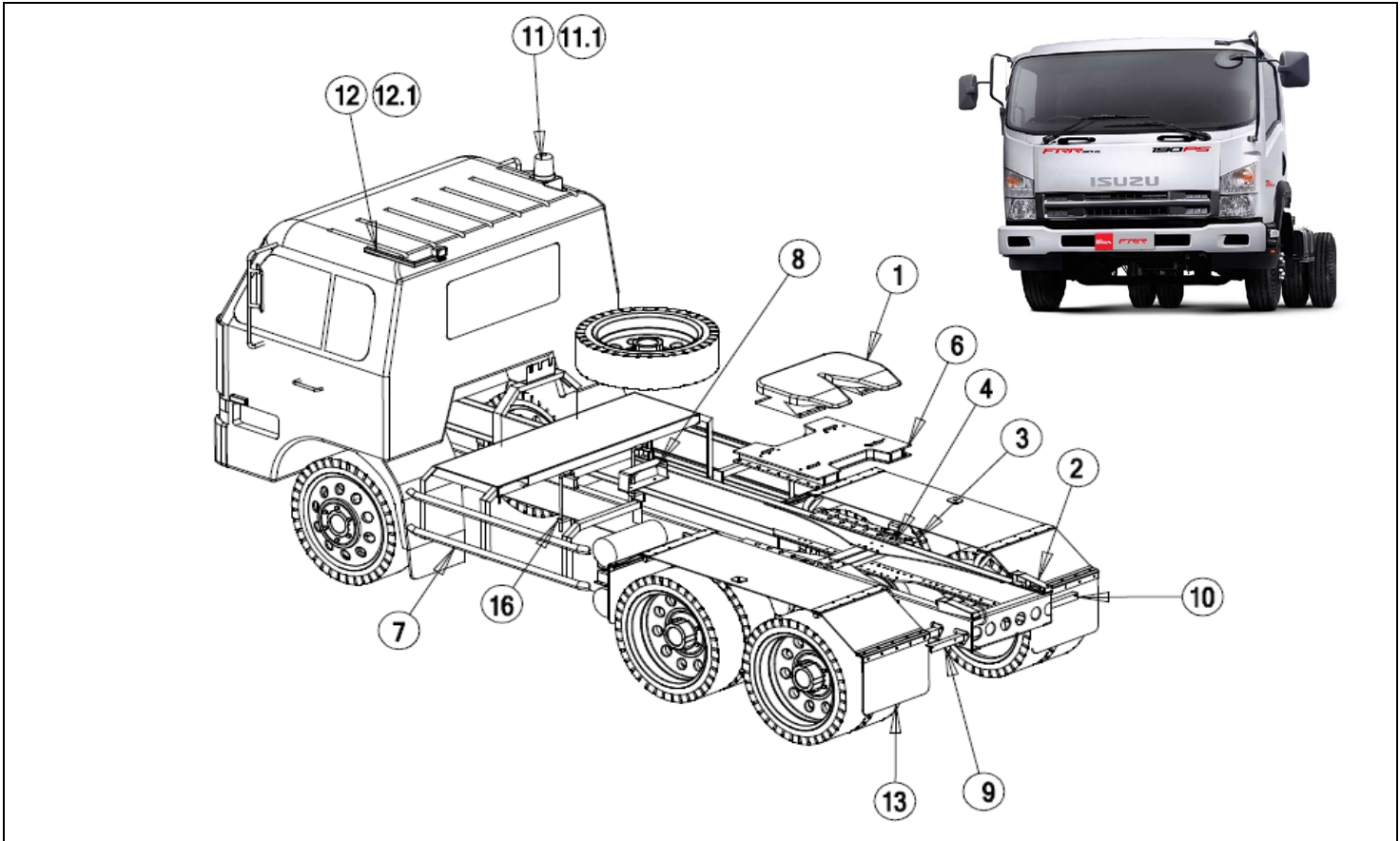


# PART INFORMATION

No : 027 / PI / PART / IAMI / VII / 2013  
Tanggal : 04 Juli 2013  
Perihal : FVZ34P TRACTOR HEAD

**FIG.NO : 10-10 TRACKTOR HEAD**



NO	PART NEW	DESCRIPTION	FIG No.	KEY NO.	APPLIED DATE	RETAIL	REMARKS
1	I3-SPART 756-A	5th WHEEL	10-10	1	1306-	12.000.000	FVZ34 TRACTOR HEAD
2	I3-SPART 757-A	DOCKING ASSY	10-10	2	1306-	4.375.000	FVZ34 TRACTOR HEAD
3	I3-SPART 758-A	ANGLE BAR	10-10	3	1306-	6.600.000	FVZ34 TRACTOR HEAD
4	I3-SPART 759-A	SPACER	10-10	4	1306-	590.000	FVZ34 TRACTOR HEAD
5	I3-SPART 760-A	BRC AIR TANK	10-10	5	1306-	161.000	FVZ34 TRACTOR HEAD
6	I3-SPART 761-A	EXTENTION 5th WHEEL	10-10	6	1306-	11.900.000	FVZ34 TRACTOR HEAD
7	I3-SPART 762-A	DECK ASSY	10-10	7	1306-	11.100.000	FVZ34 TRACTOR HEAD
8	I3-SPART 763-A	BRACKET SPARE TIRE	10-10	8	1306-	315.000	FVZ34 TRACTOR HEAD
9	I3-SPART 764-A	BRACKET REAR LAMP LH	10-10	9	1306-	198.000	FVZ34 TRACTOR HEAD
10	I3-SPART 765-A	BRACKET REAR LAMP RH	10-10	10	1306-	198.000	FVZ34 TRACTOR HEAD
11	I3-SPART 766-A	BRACKET ROTARY LAMP	10-10	11	1306-	152.000	FVZ34 TRACTOR HEAD
12	I3-SPART 767-A	ROTARY LAMP	10-10	11.1	1306-	2.075.000	FVZ34 TRACTOR HEAD
13	I3-SPART 768-A	BRACKET WORKING LAMP	10-10	12	1306-	130.000	FVZ34 TRACTOR HEAD
14	I3-SPART 769-A	WORKING LAMP	10-10	12.1	1306-	1.425.000	FVZ34 TRACTOR HEAD
15	I3-SPART 770-A	FENDER ASSY	10-10	13	1306-	3.975.000	FVZ34 TRACTOR HEAD
16	I3-SPART 771-A	AIR TANK	10-10	14	1306-	3.825.000	FVZ34 TRACTOR HEAD
17	I3-SPART 772-A	U-BOLT AIR TANK	10-10	15	1306-	113.000	FVZ34 TRACTOR HEAD
18	I3-SPART 773-A	U-BOLT DECK	10-10	16	1306-	300.000	FVZ34 TRACTOR HEAD